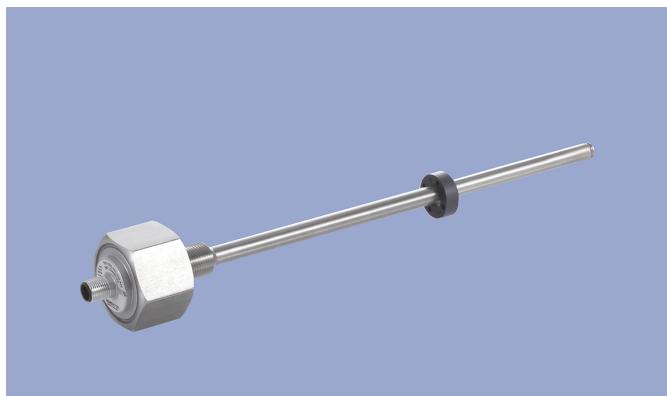
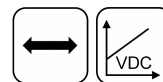


**NOVOSTRICTIVE  
Transducer  
Touchless**

**TM1**  
Screw flange  
Voltage  
**Industrial**



**Special Features**

- Compact design for tight spaces
- Touchless magnetostrictive measurement technology
- Operating pressure up to 350 bar, peaks up to 450 bar
- Non-contacting position detection with ring-shaped position marker
- Unlimited mechanical life
- No velocity limit for position marker
- Absolute output
- Outstanding accuracy performance up to 0.04 %
- Wide range of supply voltage
- Optimized for use in industrial applications
- Other configurations see separate data sheets

**Applications**

- Manufacturing Engineering
- Level measurement
- Actuators

The absolute linear transducer TM1 enables a compact and cost-effective position measurement. It consists of a stainless steel flange welded to a pressure-resistant rod and can therefore be used under harsh environmental conditions. The magnetostrictive measuring technology offers excellent accuracy for measuring lengths up to 2000 mm. The passive ring-shaped position marker allows a mechanically decoupled measurement.

**Description**

Material	Flange: SS 1.4307 / AISI 304L Flange cover: AlSiMgBi Rod: SS 1.4571 / AISI 316Ti Sealing: O-ring NBR 90 SH A
Mounting	Screwed via thread M18x1.5
Electrical connection	Connector M12x1, A-coded

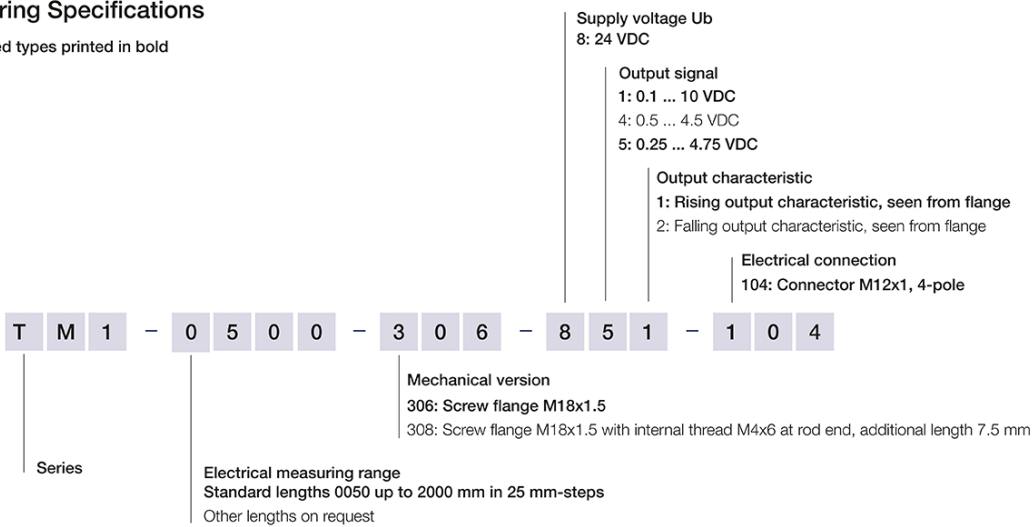
**Mechanical Data**

Dimensions	See dimension drawing
------------	-----------------------

## Ordering Specifications

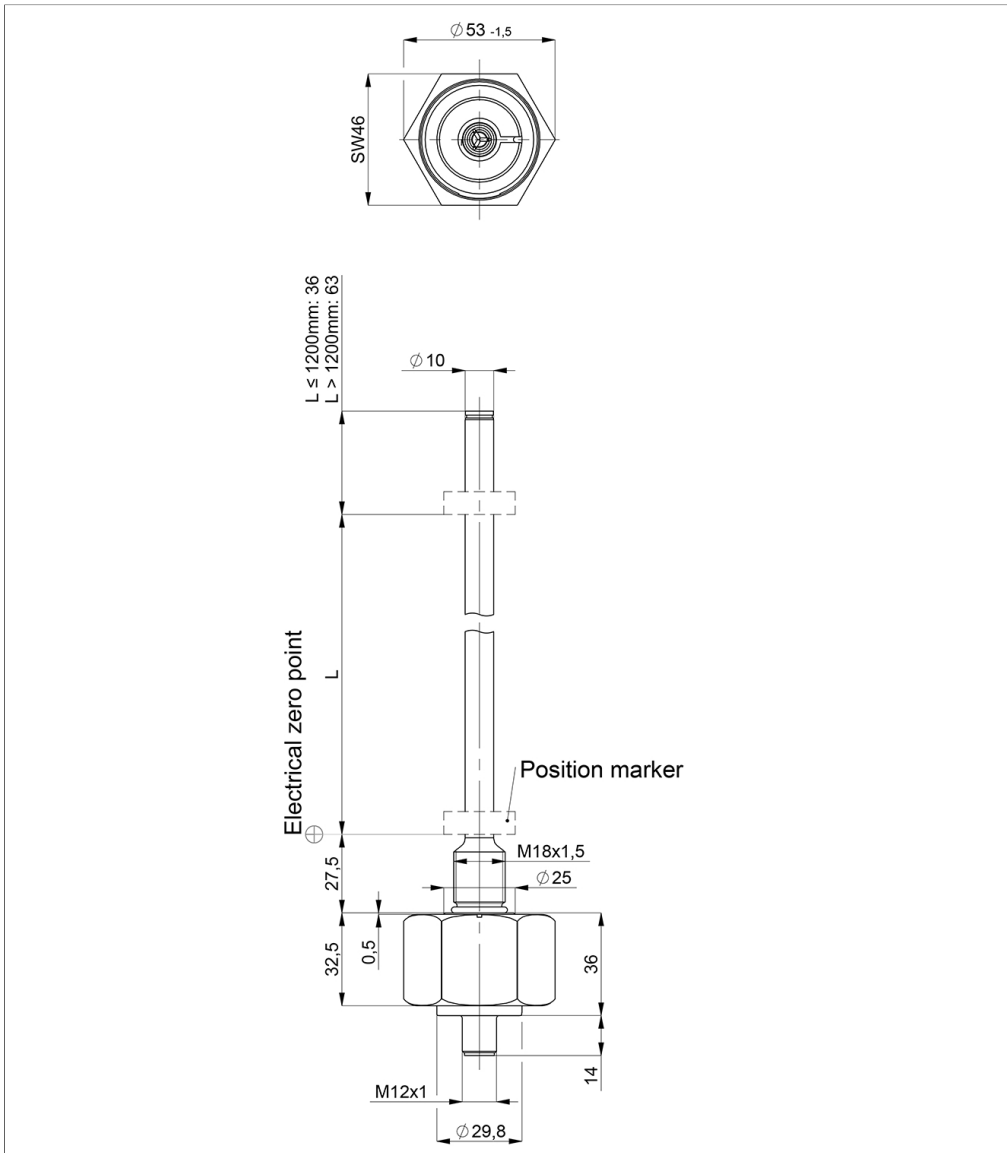
### Ordering Specifications

Preferred types printed in bold



**Drawing**

CAD data see  
[www.novotechnik.de/en/download/cad-data/](http://www.novotechnik.de/en/download/cad-data/)

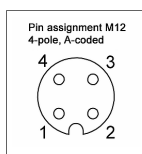


## Technical Data

Type	TM1-____-306-84_-104 TM1-____-306-85_-104	TM1-____-306-81_-104
Output signal	0.25 ... 4.75 V 0.5 ... 4.5 V	0.1 ... 10 V
Load	≥ 10 kΩ	
Sampling rate / Update rate	0.5 kHz	
Electrical measuring range (dim. L)	0 ... 50 mm up to 0 ... 2000 mm	
Absolute linearity	≤ ±0.04 %FS (min. 300 μm)	
Tolerance of electr. zero point	±1 mm	
Resolution	≤ 0.1 mm	
Repeatability	≤ ±0.1 mm	
Hysteresis	≤ ±0.1 mm	
Temperature error	typ. 50 ppm/K (min. 0.01 mm/K)	
Supply voltage Ub	12/24 VDC (8 ... 32 VDC)	24 VDC (16 ... 34 VDC)
Supply voltage ripple	≤ 10% Ub	
Power drain w/o load	< 1 W	
Overvoltage protection	36 VDC (permanent)	
Polarity protection	yes (-36 VDC)	
Short circuit protection	yes (output vs GND and supply voltage up to 36 VDC)	
Insulation resistance (500 VDC)	≥ 10 MΩ	
<b>Environmental Data</b>		
Max. operational speed	Mechanically unlimited	
Vibration IEC 60068-2-6	20 g, 10 ... 2000 Hz, Amax = 0.75 mm	
Shock IEC 60068-2-27	100 g, 11 ms (single hit)	
Protection class DIN EN 60529	IP67	
Operating temperature	-40 ... +105°C	
Operating humidity	0 ... 95 % R.H. (no condensation)	
Working pressure	≤ 350 bar	
Pressure peaks	≤ 450 bar	
Burst pressure	> 700 bar	
Life	Mechanically unlimited	
Functional safety	If you need assistance in using our products in safety-related systems, please contact us	
MTTF (IEC 60050)	346 years	
<b>EMC Compatibility</b>		
EN 61000-4-2 ESD (contact/air discharge)	4 kV, 8 kV	
EN 61000-4-3 Electromagnetic fields (RFI)	10 V/m	
EN 61000-4-4 Fast transients (burst)	1 kV	
EN 61000-4-6 Cond. disturbances (HF fields)	10 V eff.	
EN 55016-2-3 Radiated disturbances	Industrial and residential area	

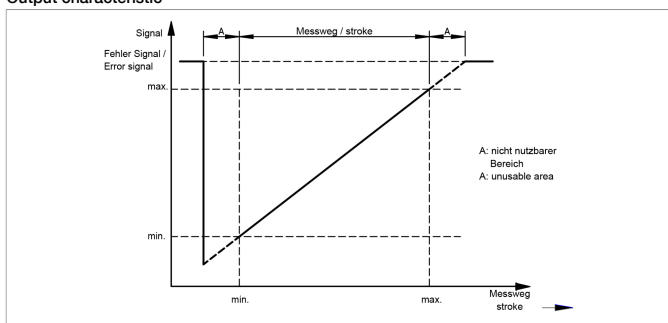
### Connection Assignment

Signal	Connector code 1_ _
Supply voltage Ub	Pin 1
GND	Pin 3
Signal output	Pin 2
Do not connect	Pin 4
Connect cable shielding to protection earth	

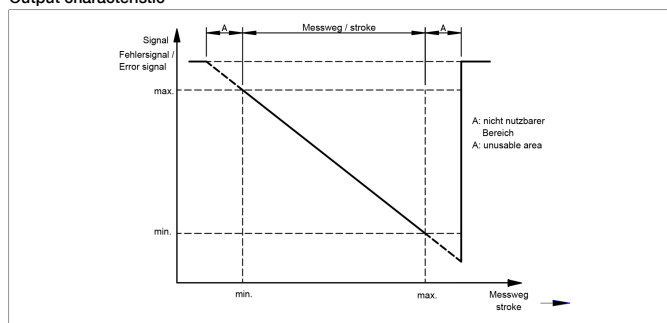


**Technical Data  
Output  
Characteristics**

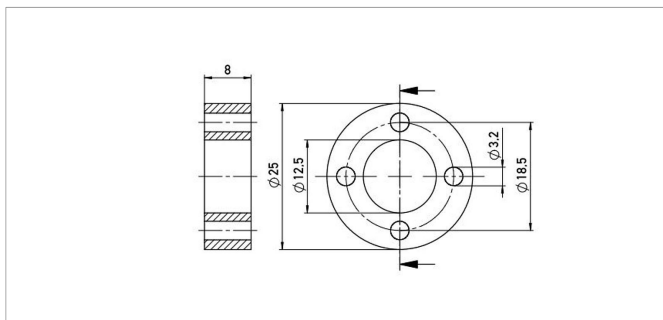
Output characteristic



Output characteristic



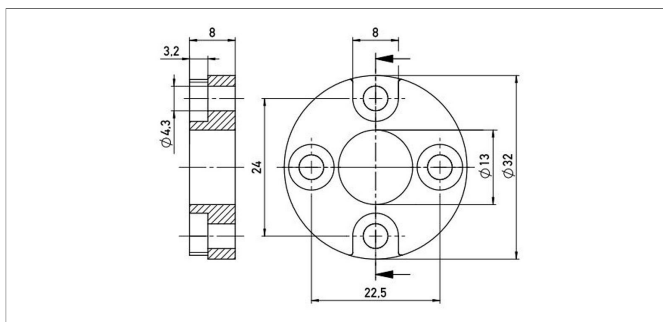
## Position Markers



### Z-TH1-P18

Ring position marker for fixation with screws M3  
 Material PA6-GF  
 Weight approx. 12 g  
 Operating temp. -40 ... +100°C  
 Surface pressure max. 40 N/mm<sup>2</sup>  
 Fastening torque max. 100 Ncm  
 of mounting

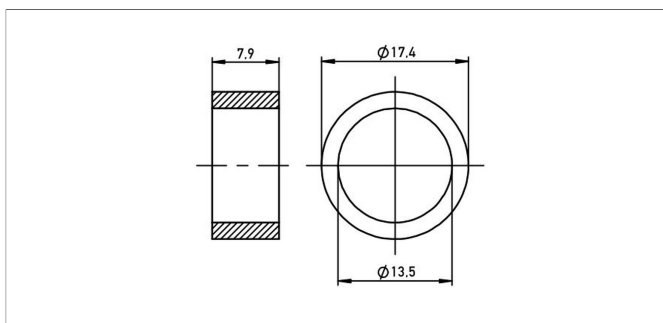
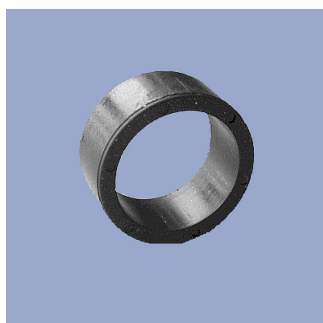
P/N	Pack. unit [pcs]
400005697	1



### Z-TH1-P19

Ring position marker for fixation with screws M4  
 Material PA6-GF  
 Weight approx. 14 g  
 Operating temp. -40 ... +100°C  
 Surface pressure max. 40 N/mm<sup>2</sup>  
 Fastening torque max. 100 Ncm  
 of mounting

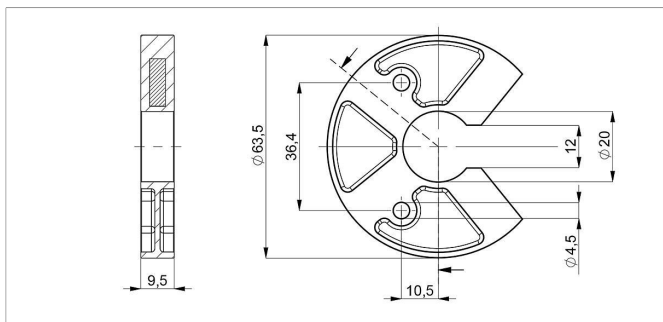
P/N	Pack. unit [pcs]
400005698	1



### Z-TIM-P20

Ring position marker for mounting via lock washer and retaining ring  
 Material PA-Neonbond Compound  
 Weight approx. 5 g  
 Operating temp. -40 ... +100°C  
 Surface pressure max. 10 N/mm<sup>2</sup>

P/N	Pack. unit [pcs]
400005699	1



### Z-TH1-P25

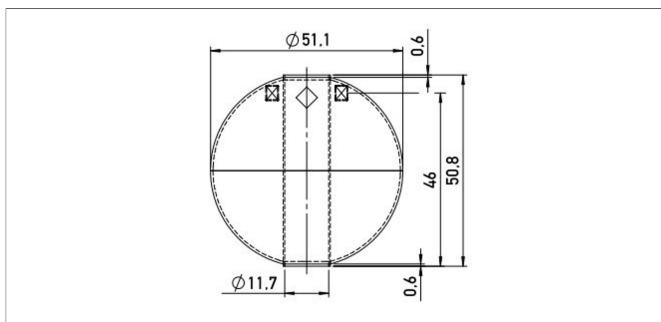
U-shaped position marker for fixation with M4 screws

Caution: for dimension of electrical zero point please follow the user manual!

Material PA6-GF  
 Operating temp. -40 ... +105°C  
 Surface pressure max. 40 N/mm<sup>2</sup>  
 Fastening torque max. 100 Ncm  
 of mounting

P/N	Pack. unit [pcs]
400105076	1

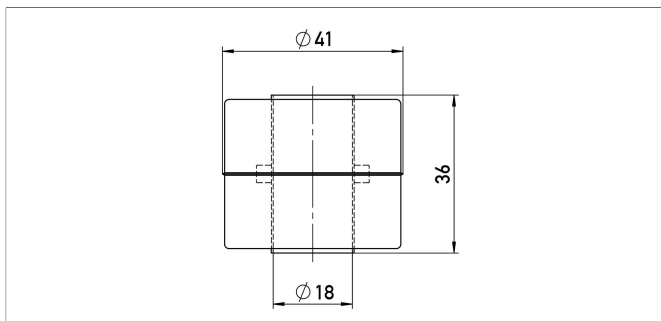
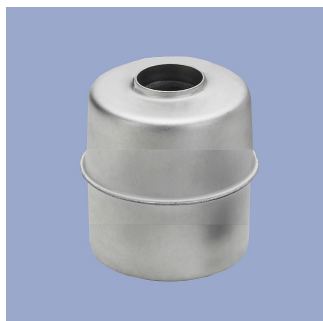
## Position Markers



### Z-TH1-P22

Ball-type floating position marker  
Material SS 1.4571 / AISI 316Ti  
Weight approx. 42 g  
Operating temp. -40 ... +100°C  
Compression strength  $\leq 60$  bar  
Density 720 kg/m<sup>3</sup>  
Immersion depth in water 36.7 mm

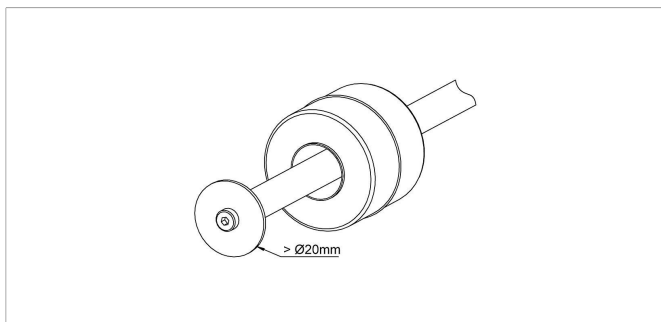
P/N	Pack. unit [pcs]
400056045	1



### Z-TH1-P21

Cylinder floating position marker  
Material SS 1.4404 / AISI 316L  
Weight approx. 20 g  
Operating temp. -40 ... +100°C  
Compression strength  $\leq 8$  bar  
Density 740 kg/m<sup>3</sup>  
Immersion depth in water approx. 26.6 mm

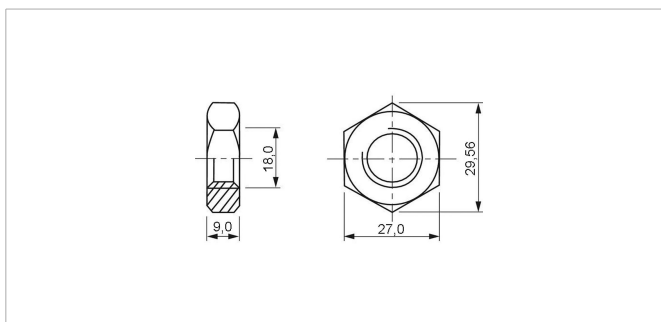
P/N	Pack. unit [pcs]
400056044	1



### Floating Position Marker - Installation Recommendation

When using floating position markers, we recommend to secure the marker against loss with a washer at the rod end.

For this purpose, a sensor version with inner thread at the rod end is required (s. ordering code).

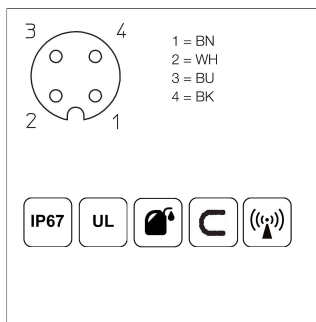
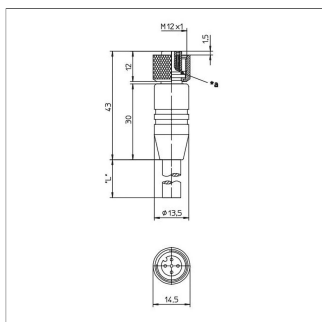
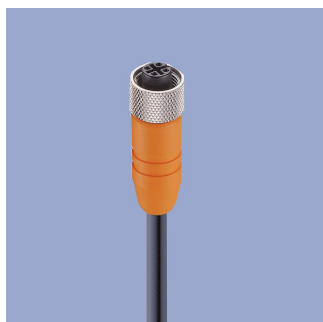


### Z-TH1-M01

Lock nut ISO 8675, M18x1.5-A2

P/N	Pack. unit [pcs]
400056090	1

## Connector System M12

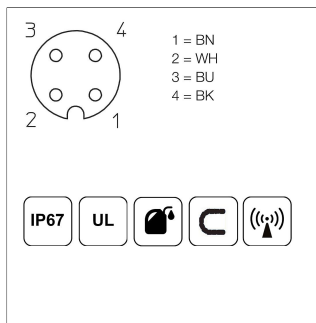
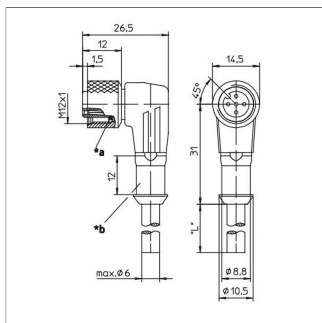
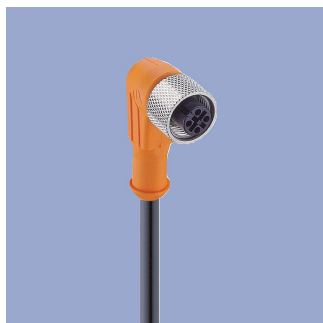


**EEM-33-32/62/97**  
M12x1 Mating female connector, 4-pin, straight, A-coded, with molded cable, shielded, IP67, open ended

Plug housing PA  
Cable sheath PUR, Ø = max. 6 mm, -25 ... +80°C (moved), -50 ... +80°C (fixed)

Lead wires PP, 0.34 mm<sup>2</sup>

P/N	Type	Length
400005600	EEM-33-32	2 m
400005609	EEM-33-62	5 m
400005650	EEM-33-97	10 m



**EEM-33-33/63/99**  
M12x1 Mating female connector, 4-pin, angled, A-coded, with molded cable, shielded, IP67, open ended

Plug housing PA  
Cable sheath PUR, Ø = max. 6 mm, -25 ... +80°C (moved), -50 ... +80°C (fixed)

Lead wires PP, 0.34 mm<sup>2</sup>

P/N	Type	Length
400005601	EEM-33-33	2 m
400005610	EEM-33-63	5 m
400005696	EEM-33-99	10 m

**IP67** Protection class IP67 DIN EN 60529

**IP68** Protection class IP68 DIN EN 60529

Very good Electromagnetic Compatibility (EMC) and shield systems

Very good resistance to oils, coolants and lubricants

**C** Suited for applications in dragchains

**UL** UL - approved

CAN-Bus



Novotechnik U.S., Inc.  
155 Northboro Road

Southborough, MA 01772  
Phone 508 485 2244  
Fax 508 485 2430  
info@novotechnik.com  
www.novotechnik.com



© Feb 28, 2020

The specifications contained in our datasheets are intended solely for informational purposes. The documented specification values are based on ideal operational and environmental conditions and can vary significantly depending on the actual customer application. Using our products at or close to one or more of the specified performance ranges can lead to limitations regarding other performance parameters. It is therefore necessary that the end user verifies relevant performance parameters in the intended application. We reserve the right to change product specifications without notice.