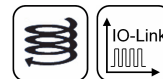


**NOVOTURN
Multi-turn Sensor
Non-contacting**

MZ1-2200

IO-Link

Industrial



Special Features

- Non-contacting, magnetic
- Long life
- Housing diameter only 22 mm
- Measuring range 15840° (44 turns)
- True-Power-On system: counts turns even when not powered. Non-volatile technology does not require gears or batteries
- Easy mounting via bushing mount
- Protection class IP50 and IP65, electronics encapsulated
- Resolution 16 bits per revolution
- Smart sensor functions for condition monitoring

Applications

- Mechanical engineering
- Automation technology
- Driveline or steering systems
- Wire-actuated encoders
- Gate drives

Multi-turn sensors that use the GMR technology (giant magneto resistance), provide absolute position values, do not require any reference signals and need no power supply or buffer battery for detecting the revolutions. The fact that rotations are detected even unpowered and the sensor does not lose its position information during a power failure, makes the MZ1-2200 with its diameter of only 22 mm an extremely compact real True-Power-On rotary sensor.

The sensor operates magnetically and thus contactless allowing an extremely long life.

The sensor is able to detect angular positions over up to 44 revolutions with a high resolution up to 16 bits per revolution.

Description

Material	Housing: high grade, temperature resistant plastic PPS Bushing: CuZn21Si3P Shaft: SS X8CrNiS18-9 1.4305 / AISI 303
Mounting	Central mounting M10 x 0.75 with lock nut (included in delivery)
Fastening torque of mounting	max. 200 Ncm
Bearing	Slide bearing
Electrical connection	Cable 4x 0.5 mm ² (AWG 20), TPE, unshielded / Connector M12x1, A-coded with cable L = 0.15 m

Mechanical Data

Dimensions	See dimension drawing
Mechanical travel	Continuous
Permitted shaft load static or dynamic	1 N (axial / radial)
Torque	Typ. ≤ 3 Ncm Depending on the environmental temperature and standstill time, the necessary force for the initial operating of the shaft may increase
Weight (w/o connection)	approx. 30 g

Ordering Specifications

Ordering Specifications

Preferred types printed in bold

- Delivery time up to 25 pcs. within 10 working days EXW
- Best low-volume pricing

Interface

A: IO-Link

Interface parameters

10: 1x position (SSP 4.2.1 Ed.2) , rising cw

11: 1x position, rising cw

12: 1x position, 1x speed, rising cw

Other process data on request

Electrical connection

252: Cable, 4-pole, unshielded, L = 1 m

551: Connector M12x1, 4-pin, unshielded, with cable, L= 0.15 m

Cable versions and assembled connectors on request

M Z 1 - 2 2 1 1 - 2 4 4 - A 1 1 - 2 5 2

Series

Mechanical version

2201: Bushing, M10 x 0.75 thread, 6 mm shaft, IP50

2211: Bushing, M10 x 0.75 thread, 6 mm shaft, IP65

2221: Bushing, M10 x 0.75 thread, 6 mm shaft, IP50, with index pin

2231: Bushing, M10 x 0.75 thread, 6 mm shaft, IP65, with index pin

Other shaft configurations on request

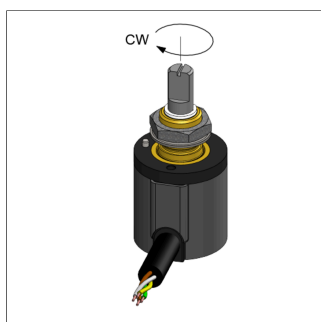
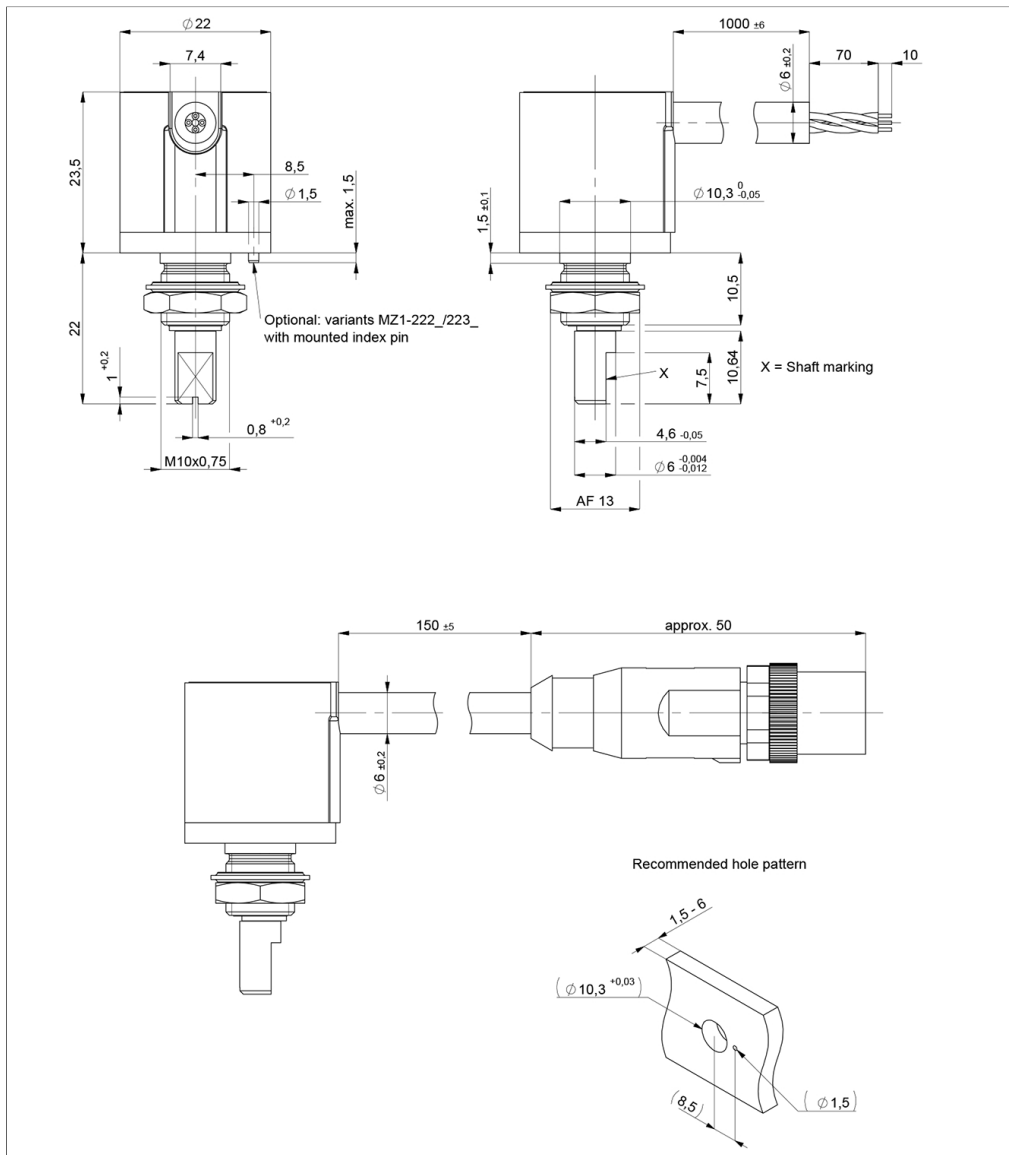
Number of turns for output characteristic

244: 44 turns = 15840°

Accessories included in delivery

- Fastening material (toothed washer, lock nut)

Drawing



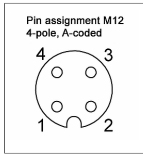
When the marking of the shaft is pointing towards the electrical outlet, the sensor output is located on an integer turn position.

Type	MZ1-22...2...A...-... IO-Link
Measured variables	Position, speed, temperature and supply voltage
Measuring range	44 turns = 15840°
Measuring range speed	0 ... 546 rpm
Number of channels	1
Protocol	IO-Link Spec V1.1 to IEC 61131-9, Smart Sensor Profile Ed. 2 Digital Measuring Sensor SSP 4.2.1 (V1.0 compatible)
Programmable parameters	e.g. Null point offset, resolution, rotating direction, switches, work area, operating modes
Condition monitoring functions	Statistical data on temperature, operating time, supply voltage, running performance
Start-up time	≤ 120 ms
Diagnosis	activated (in case of error, position signal is outside of the plausible signal range)
Resolution position (across 360°)	A11/A12: 16 bits, A10: 0,01°/LSB
Resolution speed	0.1°/s
Update rate	1 kHz
Signal propagation delay	< 0.2 ms
Transfer rate	COM 3 (230.4 kBaud)
Frame type	2.2
Minimum cycle time	1 ms
Linearity	≤ ±1°
Repeatability	≤ ±0.1°
Hysteresis	≤ ±0.5°
Temperature error	±0.36°
Supply voltage Ub	24 VDC (16 ... 30 VDC)
Current consumption w/o load	≤ 30 mA @24 V
Power drain w/o load	< 0.72 W
Polarity protection	yes (supply lines and outputs)
Short circuit protection	yes (output vs. GND and supply voltage up to 40 VDC)
Overvoltage protection	36 VDC (permanent)
Insulation resistance (500 VDC)	≥ 10 MΩ
Environmental Data	
Max. operational speed	500 rpm
Vibration IEC 60068-2-6	20 g, 5 ... 2000 Hz, Amax = 0.75 mm
Shock IEC 60068-2-27	50 g, 6 ms
Protection class DIN EN 60529	IP50 / IP65 resp. IP67 (housing side)
Operating temperature	-40 ... +85°C -25 ... +85°C (connector M12)
Insensitivity to magnetic DC fields	< 15 mT
Life	typ. > 10 Mio. movements
Functional safety	If you need assistance in using our products in safety-related systems, please contact us
MTTF (IEC 60050)	573 years
Traceability	Serial number on type labeling: production batch of the sensor assembly and relevant sensor components
Conformity/Approval	CE, UKCA see https://www.novotechnik.de/en/downloads/certificates/declarations-of-conformity-eu/uk WEEE see https://www.novotechnik.de/en/downloads/certificates/eu-directive-weee/
EMC Compatibility	
IO-Link Interface and System	V1.1.3
EN 61000-4-2 ESD (contact/air discharge)	4 kV, 8 kV
EN 61000-4-3 Electromagnetic fields (RFI)	10 V/m
EN 61000-4-4 Fast transients (burst)	2 kV
EN 61000-4-6 Cond. disturbances (HF fields)	10 V eff.
EN 55016-2-3 Radiated disturbances	Industrial and residential area

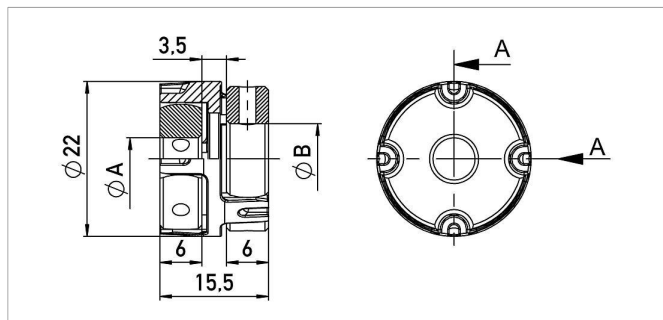
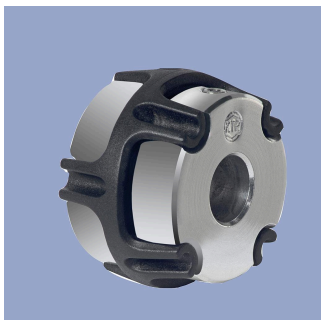
Important:
While operation, care should be taken not to rotate the sensor shaft below 0° or above 5760°. Refer to install guide.

Connection Assignment

Signal	Cable code 2_ _	Connector code 5_ _
Supply voltage Ub (L+)	BN	Pin 1
GND (L-)	WH	Pin 3
C/Q	YE	Pin 4
Do not connect (alt. GND)	GN	Pin 2



Sensor Mounting



Z-106-G_

Backlash-free, double cardanic shaft coupling for Ø6 mm to Ø6 mm, Ø6.35 mm or Ø10 mm, mounting via 2 threaded pins with internal hexagon

Material Aluminium, PEEK

Operating temp. -40 ... +160°C

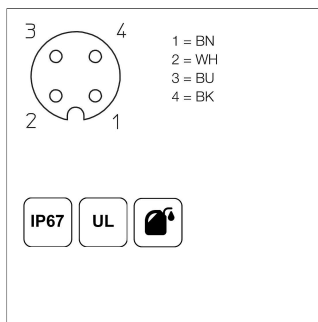
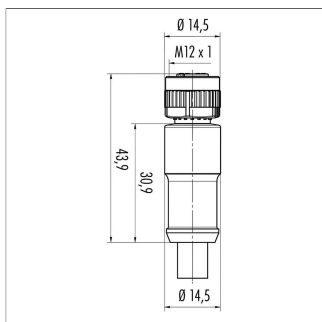
Transferable torque ≤ 1 Nm

torque

Displacement rad. ≤ 0.1 mm, angl. ≤ 0.45°

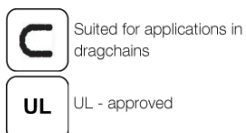
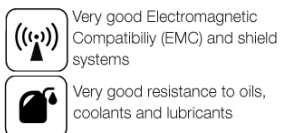
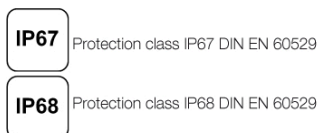
P/N	Type	ØA / ØB [mm]
400103910	Z-106-G-6	6 / 6
400103912	Z-106-G-6,35	6 / 6.35
400103913	Z-106-G-10	6 / 10

Connector System M12



EEM-33-35/36/37
M12x1 Mating female connector, 4-pin, straight, A-coded, with molded cable, not shielded, IP67, open ended
Plug housing PA
Cable sheath PUR, Ø = max. 6 mm, -40 ... +85°C (fixed)
Lead wires PP, 0.34 mm²

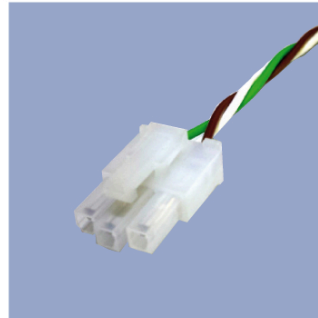
P/N	Type	Length
400056135	EEM-33-35	2 m
400056136	EEM-33-36	5 m
400056137	EEM-33-37	10 m



Connecting Options on request



- M12 connector**
- Customized lengths
 - 3-, 4-, 6- and 8-pole versions
 - Protection class IP68
 - Ordering codes of standard versions see ordering specifications



- Molex Mini Fit jr.**
- Customized length and lead wires
 - 3-, 4- and 6-pole versions
 - On request



- Tyco AMP Super Seal**
- Pin- and bushing housing
 - Customized lengths
 - 3-, 4- and 6-pole versions
 - Protection class IP67
 - On request



- Molex Mini Fit jr.**
- Customized length and lead wires
 - 3-, 4- and 6-pole versions
 - On request



- Deutsch DTM 04**
- Pin- and bushing housing
 - Customized lengths
 - 3-, 4- and 6-pole versions
 - Protection class IP67
 - On request



- ITT Cannon Sure Seal connector**
- Customized lengths
 - 3-, 4- and 6-pole versions
 - Protection class IP67
 - On request

Novotechnik U.S., Inc.
155 Northboro Road

Southborough, MA 01772
Phone 508 485 2244
Fax 508 485 2430
info@novotechnik.com
www.novotechnik.com



© Jun 2, 2026

The specifications contained in our datasheets are intended solely for informational purposes. The documented specification values are based on ideal operational and environmental conditions and can vary significantly depending on the actual customer application. Using our products at or close to one or more of the specified performance ranges can lead to limitations regarding other performance parameters. It is therefore necessary that the end user verifies relevant performance parameters in the intended application. We reserve the right to change product specifications without notice.