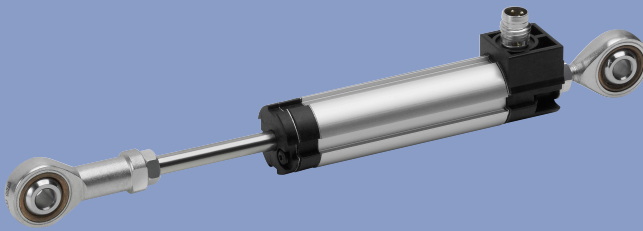


**Position Transducers
Pivot head Mounting
potentiometric
up to 300 mm, IP 67**

Series TEX



Special features

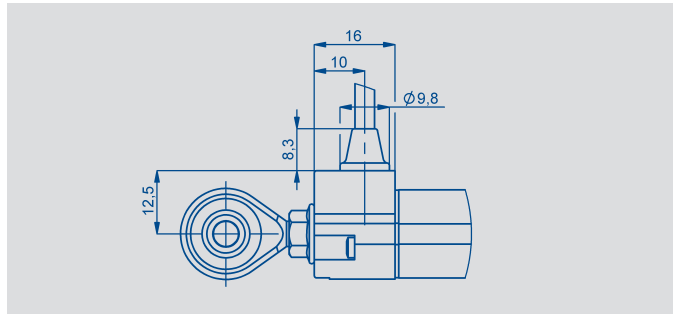
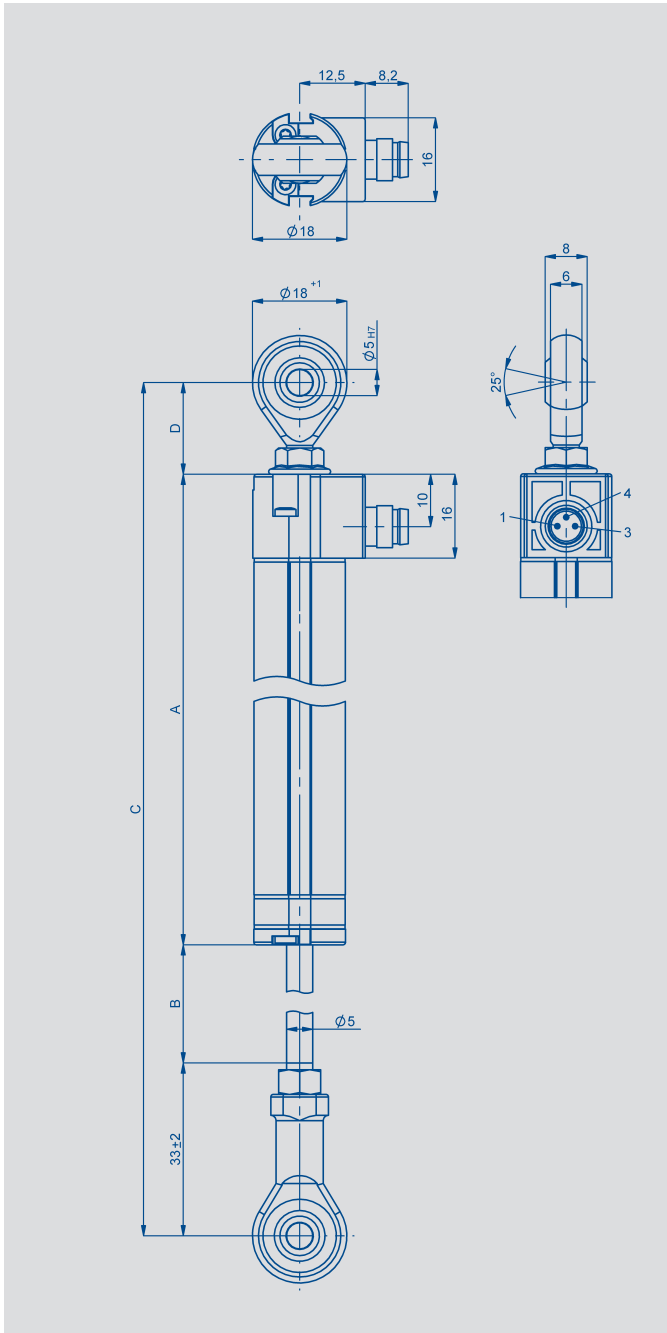
- compact dimensions
- protection class up to IP67
- mountable over back-lash free pivot heads with a large angle of free movement (up to $\pm 12,5^\circ$)
 - very long life (depending on application) up to 100 million movements
- resolution better than 0.01 mm
- outstanding linearity up to $\pm 0.05\%$
- variable mechanical customer interfaces
- usable under harsh environmental conditions (humidity, oil, dust)
- cable or plug connection optional

Highest protection class and very compact dimensions characterize this inexpensive transducer.

Due to the user-friendly pivot heads this sensor is recommended especially for mobile applications. Alternatively a shortened version with optimized distance of the pivot heads is also available. The electrical connection is made by radial plug connector or radial or axial cable.

Transducers with and without restoring spring and mounting clamp, central thread or flange plates see separate data sheets.

Description	
Housing	aluminium, anodized
Fixings	see drawing
Actuating rod	stainless steel, rotatable
Bearings	sleeve bearing
Resistance element	conductive plastic
Wiper assembly	precious metal multi-finger wiper
Electrical connections	3-pin round connector M8x1 3-pin cable, shielded 2 m long

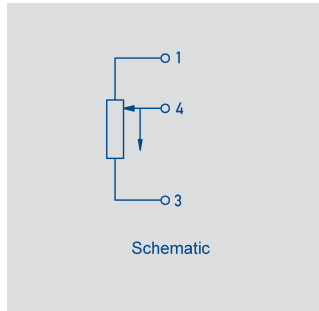
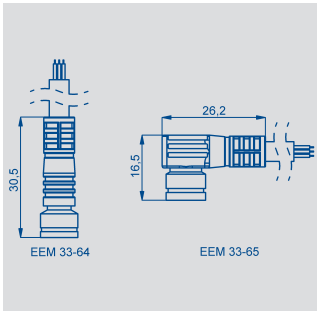


Type designations	TEX 0010	TEX 0025	TEX 0050	TEX 0075	TEX 0100	TEX 0125*	TEX 0150	TEX 0175*	TEX 0200	TEX 0250	TEX 0300	
Electrical Data												
Defined electrical range	10	25	50	75	100	125	150	175	200	250	300	mm
Electrical range	12	27	52	77	102	130	155	180	205	255	305	mm
Nominal resistance	1	1	2	3	4	5	6	7	8	10	12	kΩ
Resistance tolerance	20											±%
Independent linearity	0.25	0.2	0.1	0.1	0.1	0.05	0.05	0.05	0.05	0.05	0.05	±%
Repeatability	0.01											mm
Recommended operating wiper current	≤ 1											μA
Max. wiper current in case of malfunction	10											mA
Max. permissible applied voltage	42											V
Effective temperature coefficient of the output-to-applied voltage ration	typical 5											ppm/K
Insulation resistance (500 VDC, 1 bar, 2 s)	≥10											MΩ
Dielectric strength (50 Hz, 2 s, 1 bar, 500 VAC)	≤100											μA
Mechanical Data												
Body length (dimension A)	63	78	103	128	153	194	219	244	269	319	369	±2 mm
Mechanical stroke (dimension B)	14	29	54	79	104	132	157	182	207	257	307	±2 mm
Min. distance between pivot heads (dimension C), version X15 (dimension D = 17,5 mm)	113,5	128,5	153,5	178,5	203,5	244,5	269,5	294,5	319,5	369,5	419,5	±2 mm
Min. distance between pivot heads* (dimension C), version X13 (dimension D = 24,5 mm)	120,5	135,5	160,5	185,5	210,5	251,5	276,5	301,5	326,5	376,5	426,5	±2 mm
Weight approx. with cable TEX_XXXX_X1X_002_202	111	116	126	136	146	186	196	206	216	236	256	g
with connector TEX_XXXX_X1X_002_101	79	84	94	104	114	154	164	174	184	204	224	g
Operating force horizontal	≤ 0.5 (IP40), ≤ 3.0 (IP 67)											N
Environmental Data												
Temperature range	-40 ...+85 (-40...+100 on request)											°C
Vibration	5...2000 A _{max} = 0.75 a _{max} = 20											Hz mm g
Shock	50 6											g ms
Life	> 100 x 10 ⁶ typ. (IP40, IP54) > 50 x 10 ⁶ typ. (IP67)											movements movements
Operating speed	10 (IP40, IP54) respectively 5 (IP67)											m/s max.
Protection class	up to IP67 DIN 40500 / IEC 529											

*) = on request

Novotechnik
 Messwertaufnehmer OHG
 Postfach 4220
 73745 Ostfildern (Ruit)
 Horbstraße 12
 73760 Ostfildern (Ruit)
 Tel. +49 711 44 89-0
 Fax +49 711 44 89-118
 info@novotechnik.de
 www.novotechnik.de

© 04/2009
 Art.-No.: 062 777
 Subject to changes
 Printed in Germany



Output connector Code 101	Cable Code 202, 205	Connector with cable EEM 33-64, EEM 33-65
PIN 1	BN brown	BN brown
PIN 4	WH white	BK black
PIN 3	GN green	BU blue

Ordering specifications

Electrical version

002: Independent linearity $\pm 0.05\%$ bis $\pm 0.25\%$

Electrical connection

101: 3-pin round connector M8x1, radial output
 202: NT standard cable 2 m, radial output
 205: NT standard cable 5 m, radial output

T E X 0 1 5 0 4 1 5 0 0 2 2 0 2

Series

Mechanical mounting

3: Pivot heads on request
 5: Pivot heads (short version)

Mechanical version actuating rod x1x

1: Transducer with one-side rod and thread M5

Protection class

3: one-side actuating rod, IP40 on request
 4: one-side actuating rod, IP54
 5: one-side actuating rod, IP67 on request

Electrical defined range

Standard: 0010 up to 0300 mm, various standard lengths

Recommended accessories

Connector M8x1, 2 m cable, EEM 33-64, IP67, Art.No. 005617;
 Angled connector M8x1, 2 m cable, EEM 33-65, IP67, Art.No. 005618;
 Connector with longer cable length on request.
 Process-controlled indicators MAP... with display, Signal conditioner MUP.../MUK... for standardized output signals.

Important

All the values given in this data sheet for linearity, lifetime and temperature coefficient in the voltage dividing mode are quoted for the device operating with the wiper voltage driving on operational amplifier working as a voltage follower, where virtually no load is applied to the wiper ($I_E \leq 1 \mu A$).