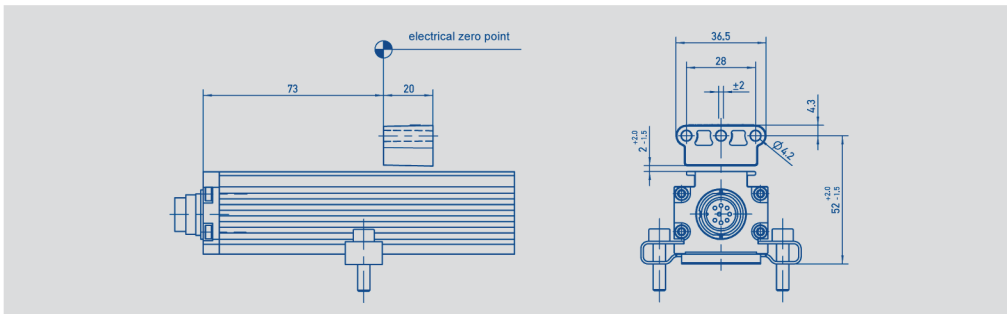
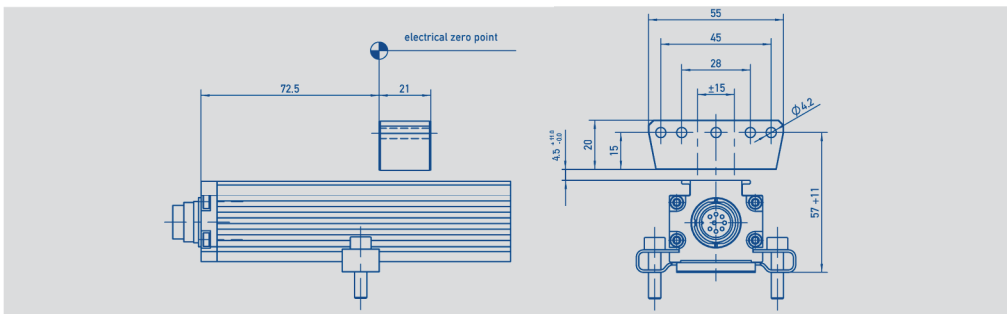


**Position Marker
for non-contacting
Transducers**

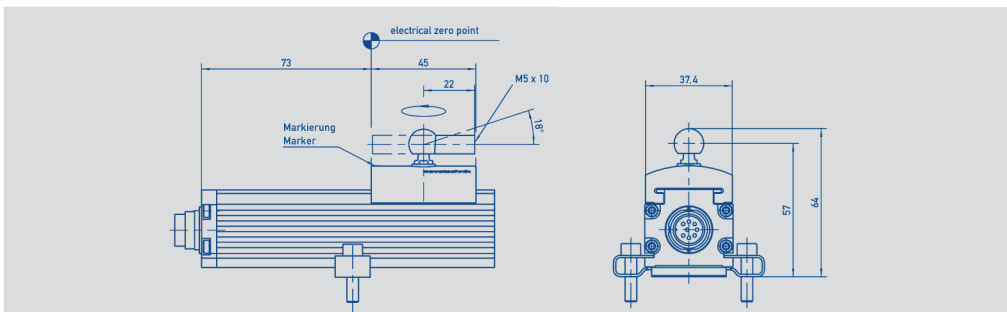
Series TP1 / TLM /
TMI / TIM



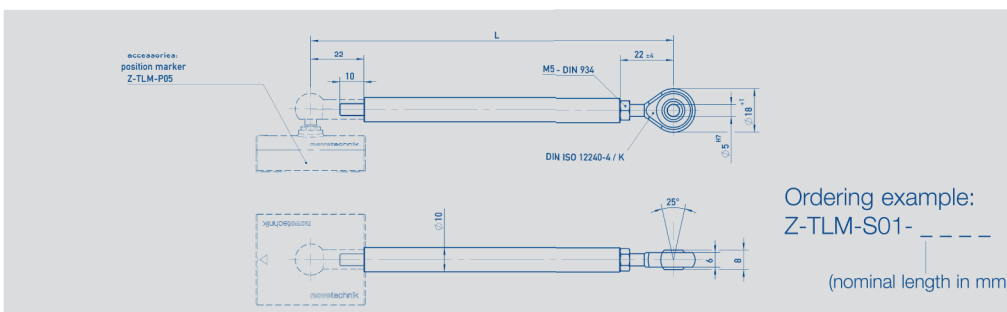
Z-TP1-P06
Floating position marker,
Art.No. 005693
weight approx. 10 g



Z-TP1-P07
Floating position marker,
Art.No. 005694
weight approx. 40 g

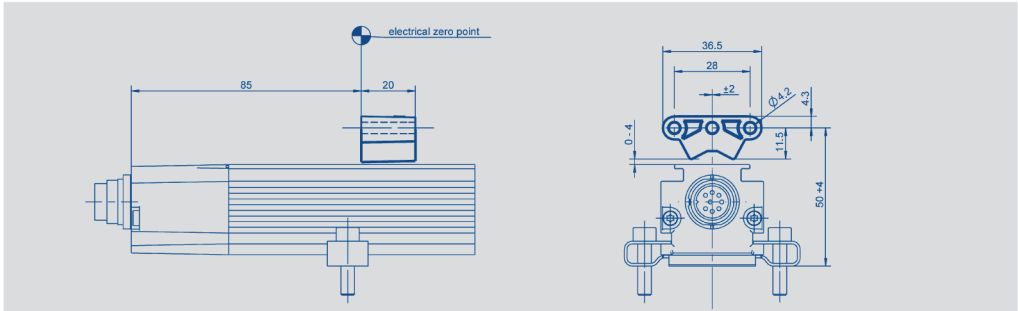


Z-TP1-P08
Guided position marker,
Art.No. 005695
weight approx. 30 g

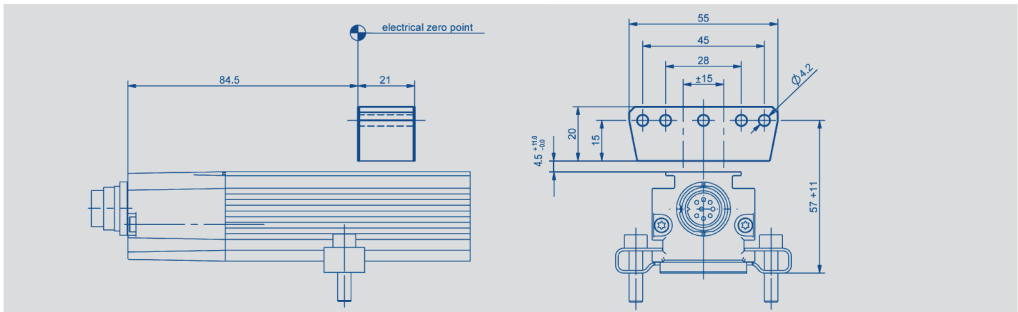


Z-TLM-S01- _____
Actuating rod for guided
position marker Z-TP1-P08,
weight approx. 150 g/m
Material aluminium.

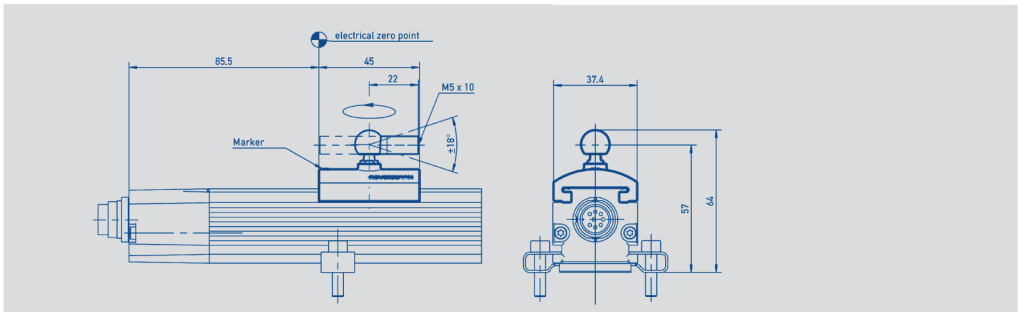
Standard nominal length (mm):
0075, 0100, 0125, 0150,
0200, 0250, 0300, 0350,
0400, 0450, 0500, 0600,
0800, 1000, 1500, 2000



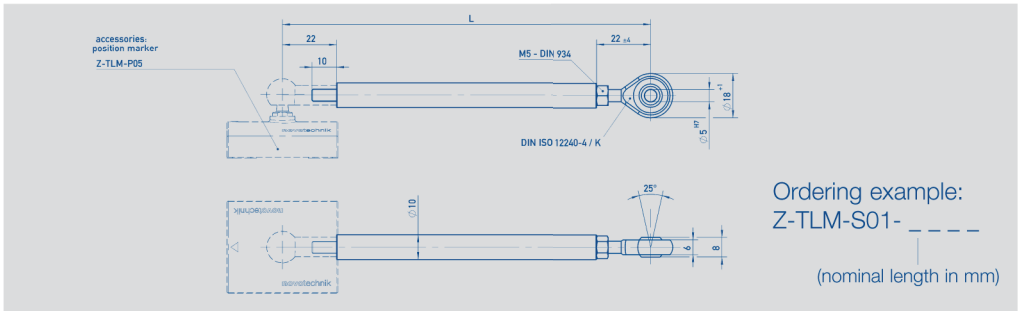
Z-TLM-P01
 Floating position marker,
 Art.No. 005651
 weight approx. 10 g



Z-TLM-P04
 Floating position marker,
 Art.No. 005654
 weight approx. 40 g



Z-TLM-P05
 Guided position marker,
 Art.No. 005655
 weight approx. 30 g



Ordering example:
 Z-TLM-S01- _____
 (nominal length in mm)

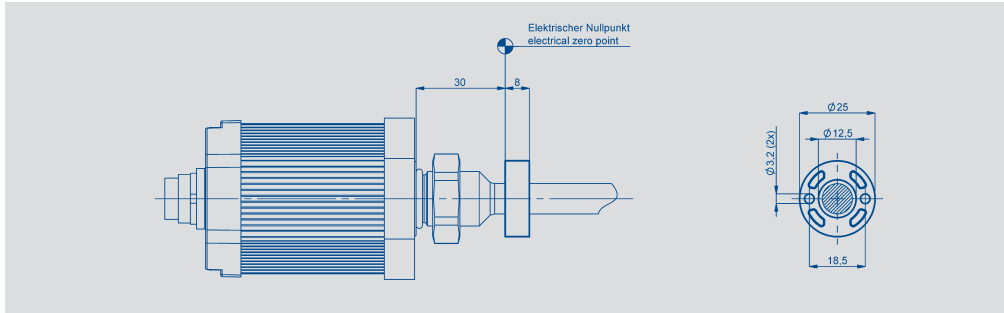
Z-TLM-S01- _____
 Actuating rod for guided
 position marker Z-TLM-P05,
 weight approx. 150 g/m
 Material aluminium.

Standard nominal length (mm):
 0075, 0100, 0125, 0150,
 0200, 0250, 0300, 0350,
 0400, 0450, 0500, 0600,
 0800, 1000, 1500, 2000

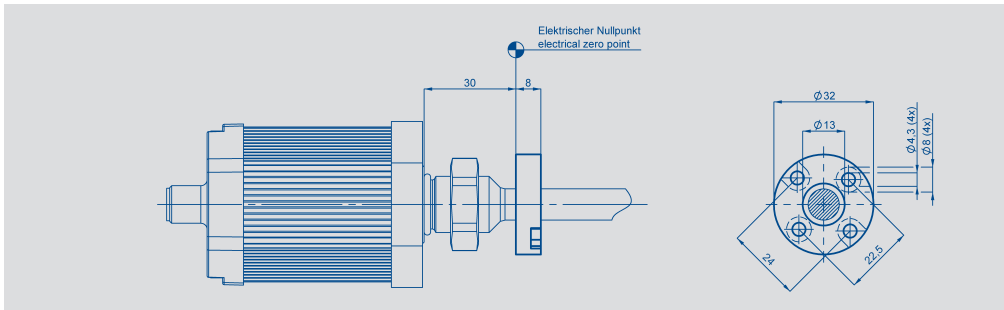
Novotechnik U.S., Inc.
 155 Northboro Road
 Southborough, MA 01772

Phone: 508-485-2244
 Fax: 508-485-2430
 Email: info@novotechnik.com

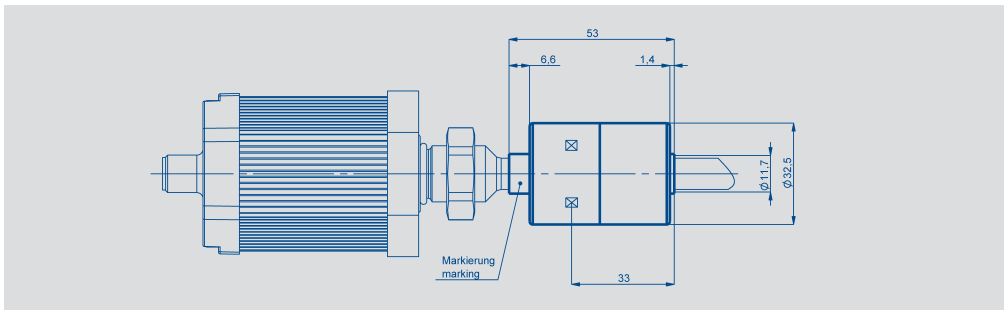
© 04/2011
 Art.-Nr.: 062 700
 Subject to changes



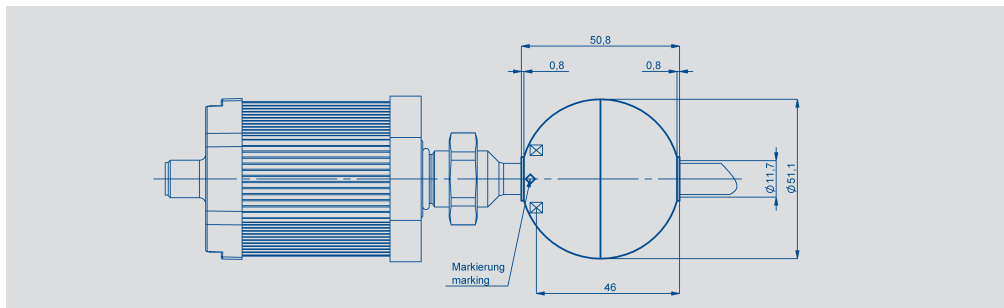
Z-TMI-P02
 Ring position marker,
 Art.No. 005652
 weight approx. 10 g



Z-TMI-P14
 Ring position marker,
 Art.No. 005657
 weight approx. 12 g



Z-TMI-P10
 Float position marker,
 Art.No. 005662
 weight approx. 20 g
 Material stainless steel 1.4571
 / 1.4404, surface stained
 Immersion depth in water
 approx. 35 mm



Z-TMI-P11
 Float position marker,
 Art.No. 005663
 weight approx. 30 g
 Material stainless steel 1.4571
 / 1.4404, surface stained
 Immersion depth in water
 approx. 25 mm and in 0.7
 g/cm³ approx. 40 mm

Other position marker and
 float position marker on
 request.