



Vert-X 37E - 5V / PWM

Applications

- Agricultural machines
- Construction machines
- Forest machines
- Special purpose vehicles

Features

- High protection class IP68
- Very robust design
- Non-contacting measuring method
- Very long life
- High accuracy of measurement
- Applications under adverse ambient conditions possible (humidity, dampness, dust, vibrations etc.)
- Full resolution and accuracy at programmed electrical angle

Errors and omissions excepted. Subject to change without notice. / State: 31.10.11

Contelec AG
 Portstrasse 38
 CH-2503 Biel/Bienne
 Phone +41 (0)32 3665600
 Telefax +41 (0)32 3665604
 sales@contelec.ch

CONTELEC
 A company of the Siedle-Group

Sensor principle		MH-C	MH-C2
Electrical data			
Measuring range	°	0 ... 360	-
Indep. linearity (without misalignment)	% of meas. range	±0.3	-
Indep. linearity (with allowed misalignment @ 360°)	% of meas. range	±0.5	-
Max. hysteresis	°	0.1	-
Resolution	bit	12	-
Max. repeatability	°	0.1	-
Sample rate fast mode	kHz	(5)	-
Sample rate slow mode	kHz	1.66	-
System propagation delay fast mode	µs	(800)	-
System propagation delay slow mode	µs	4600	-
Max. temperature coefficient of the output signal	ppm/°K	25	-
MTTFd / MTBF	years	668 / 668	-
Power supply voltage	VDC	5 (±10%)	-
Current consumption without load (typ.) fast mode	mA	(14)	-
Current consumption without load (typ.) slow mode	mA	9	-
Min. ohmic load at output	kOhm	10	-
Max. capacitive load at output	nF	1	-
PWM frequency	Hz	855 (±20%)	-
Reverse polarity protection of power supply		yes	-
Electrical connection axial		Wires (3x)	-
Cross section of single wires	mm ²	0.56 (AWG20)	-
Electrical connection radial		Cable 3pole	-
Cross section of single wires	mm ²	0.56 (AWG20)	-
Redundancy feasible		yes	-
Electrical connection redundant axial		Wires (6x)	-
Cross section of single wires redundant	mm ²	0.56 (AWG20)	-
Electrical connection redundant radial		Cable 6pole	-
Cross section of single wires redundant	mm ²	0.25 (AWG24)	-
Mechanical data			
Mechanical range	°	360 (continuous)	-
Protection class		IP68	-
Min. life	movements	no limitation	-
Operating & storage temperature (with wires)	°C	-40 ... +125	-
Operating & storage temperature (with round cable)	°C	-40 ... +85	-
IEC 68-2-6 Vibration (Amax = 0.75mm, f = 5 ... 2000 Hz)	g	50	-
IEC 68-2-27 Shock	g	200	-
Standards			
EN 55022 class B, Emission radiated (30... 230 MHz)	dB(µV/m)	max. 30	-
EN 55022 class B, Emission radiated (230...1000MHz)	dB(µV/m)	max. 37	-
EN 61000-4-2, ESD (contact discharge / air discharge)	kV	±4 / ±8	-
EN 61000-4-3, Immission HF radiated (80... 1000 MHz)	V/m	30	-
EN 61000-4-4, Burst (on all lines)	kV	±1	-
EN 61000-4-5, Surge (lines to ground)	kV	±1	-
EN 61000-4-6, Immission HF conducted (0.15...80MHz)	Vemk	10	-
EN 61000-4-8, Immission magnetic field (50Hz)	A/m	30	-
IEC 60393-1 Insulation resistance (500VDC, 1bar, 2s)	GOhm	20	-
IEC 60393-1 Dielectric strength (VAC, 50Hz, 1min, 1bar)	kV	1	-



Vert-X 37E - 5V / PWM
Ordering code

		Output characteristics				Electrical connection / axial							
		Positive gradient CW	Standard	1			5 Standard Wires 3pole						
		Positive gradient CCW	Optional	2			7 Optional Wires 5pole / 6pole						
		Redundant, positive gradient CW	Optional	3			9 Optional Special cable ; special wires						
		Redundant, positive gradient CCW	Optional	4									
		Redundant, crossed signal curves	Optional	5									
		Output signal				Electrical connection / radial							
		PWM	Standard	4			4 Standard Round cable 3pole						
						6 Optional Round cable 6pole							
						9 Optional Special cable ; special wires							
		Power supply voltage				Length of wires							
		5VDC	Standard	2			01 Optional 10cm						
						03 Optional 30cm							
						05 Standard 50cm							
						99 Optional Special length							
Vert-X	3	7	E	4	7	3	6	2	4	1	5	0	5
						Electrical angle							
						36	Standard	Electrical angle 360°					
						xx	Optional	03 to 35; Declaration in 10° steps					
						99	Optional	Special angle					
						Sensor principle							
						7	MH-C						
						Mechanical version							
		37E1	Optional	Servo mount size 13 ; magnetic actuator type 1									
		37E2	Optional	Servo mount size 13 ; magnetic actuator type 2									
		37E4	Standard	Servo mount size 13 ; magnetic actuator type 4									
		37E9	Optional	Special housing ; special magnetic actuator									

	MH-C	MH-C2
Custom magnetic actuator	X	-
Custom modification of the housing	X	-
Custom cable / wires	X	-
Sample rate in fast mode	X	-
Switch functions TTL (max. 2)	X	-
Special characteristic curve	-	-
Special electrical angle within 30° to 360° (ex factory)	X	-
Electrical angle programmable (Software)	-	-
Start & end point settable (Additional wires)	-	-
Sense of rotation CW/CCW settable / programmable (Additional wires or Software)	-	-
Index point settable / programmable (Additional wires or Software)	-	-

Options (on request)

Errors and omissions excepted. Subject to change without notice. / State: 31.10.11

Contelec AG
 Portstrasse 38
 CH-2503 Biel/Bienne
 Phone +41 (0)32 3665600
 Telefax +41 (0)32 3665604
 sales@contelec.ch



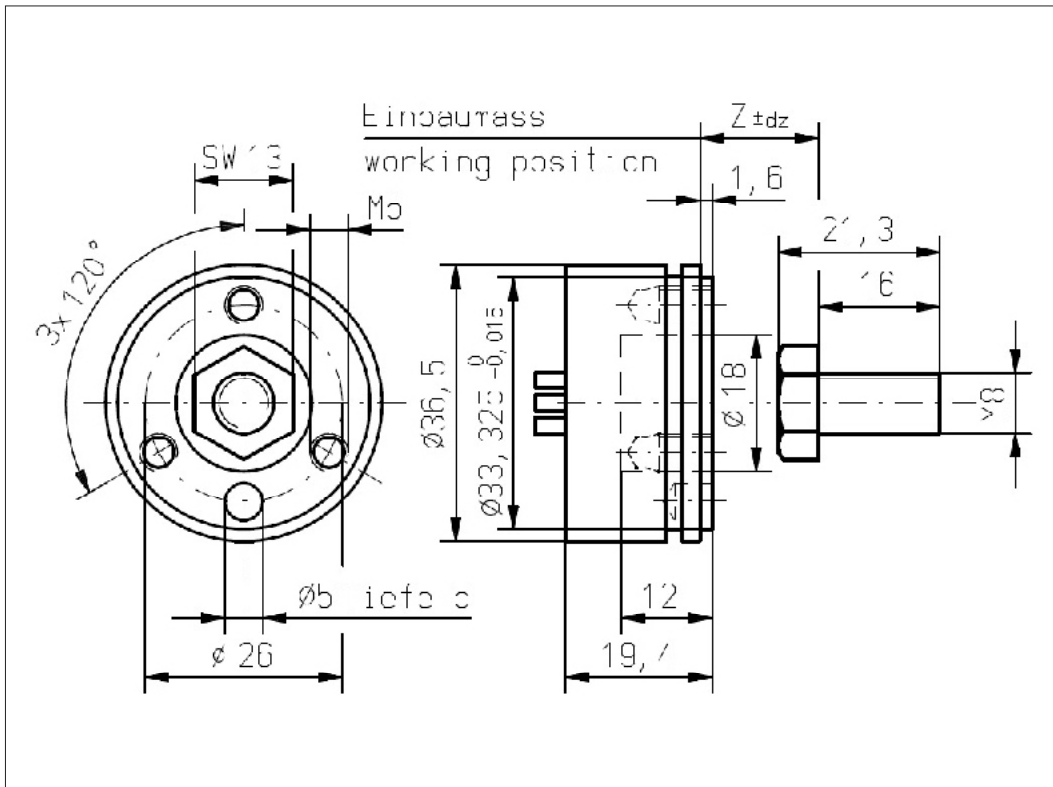
Vert-X 37E4 xxx xxx 5xx
Vert-X 37E4 xxx xxx 7xx

Accessoires (incl.)

- 1x Fixation clip
- 2x Slotted cylinder head screw M5x12

Working position (Z) and max. permitted misalignment of the magnetic actuator

see mounting information



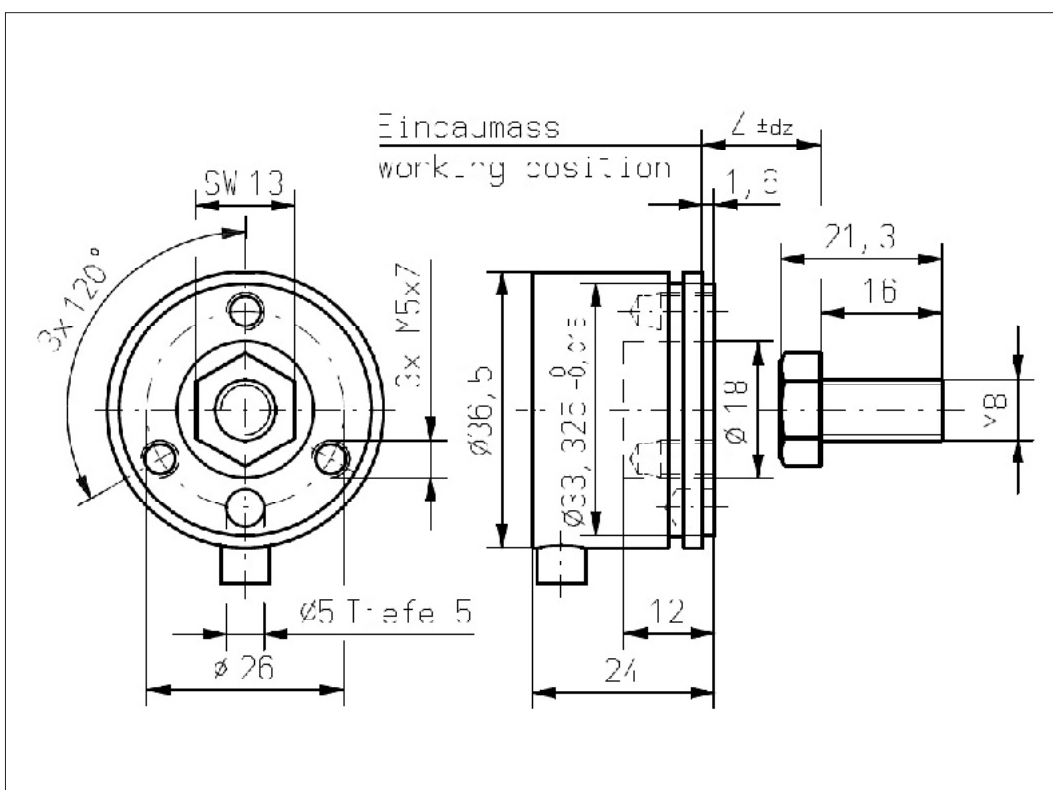
Vert-X 37E4 xxx xxx 4xx
Vert-X 37E4 xxx xxx 6xx

Accessoires (incl.)

- 1x Fixation clip
- 2x Slotted cylinder head screw M5x12

Working position (Z) and max. permitted misalignment of the magnetic actuator

see mounting information



Errors and omissions excepted. Subject to change without notice. / State: 31.10.11

Contelec AG
 Portstrasse 38
 CH-2503 Biel/Bienne
 Phone +41 (0)32 3665600
 Telefax +41 (0)32 3665604
 sales@contelec.ch



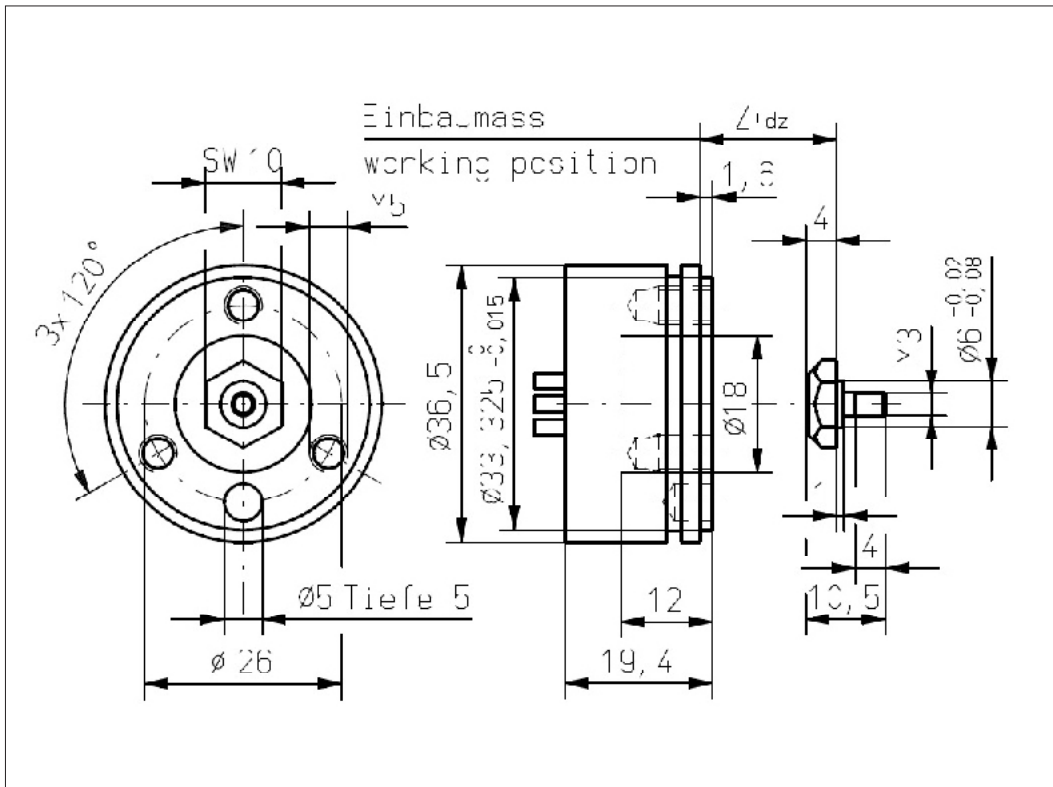
Vert-X 37E1 xxx xxx 5xx
Vert-X 37E1 xxx xxx 7xx

Accessoires (incl.)

- 1x Fixation clip
- 2x Slotted cylinder head screw M5x12

Working position (Z) and max. permitted misalignment of the magnetic actuator

see mounting information



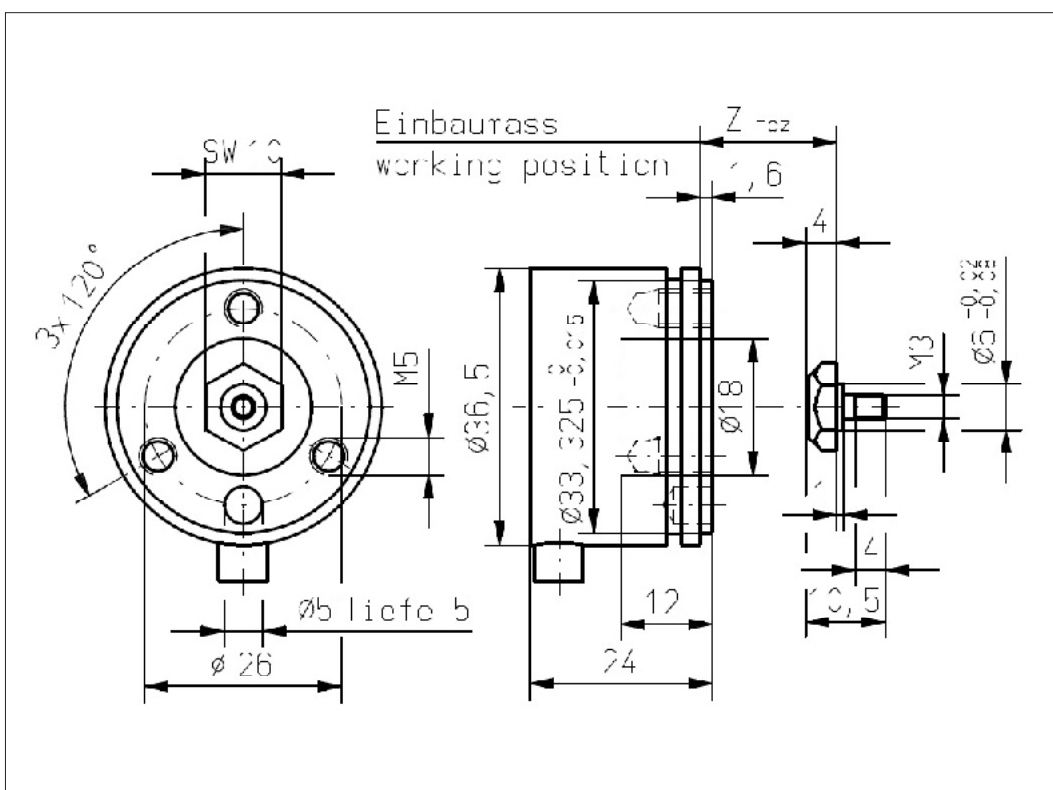
Vert-X 37E1 xxx xxx 4xx
Vert-X 37E1 xxx xxx 6xx

Accessoires (incl.)

- 1x Fixation clip
- 2x Slotted cylinder head screw M5x12

Working position (Z) and max. permitted misalignment of the magnetic actuator

see mounting information



Errors and omissions excepted. Subject to change without notice. / State: 31.10.11

Contelec AG
 Portstrasse 38
 CH-2503 Biel/Bienne
 Phone +41 (0)32 3665600
 Telefax +41 (0)32 3665604
 sales@contelec.ch



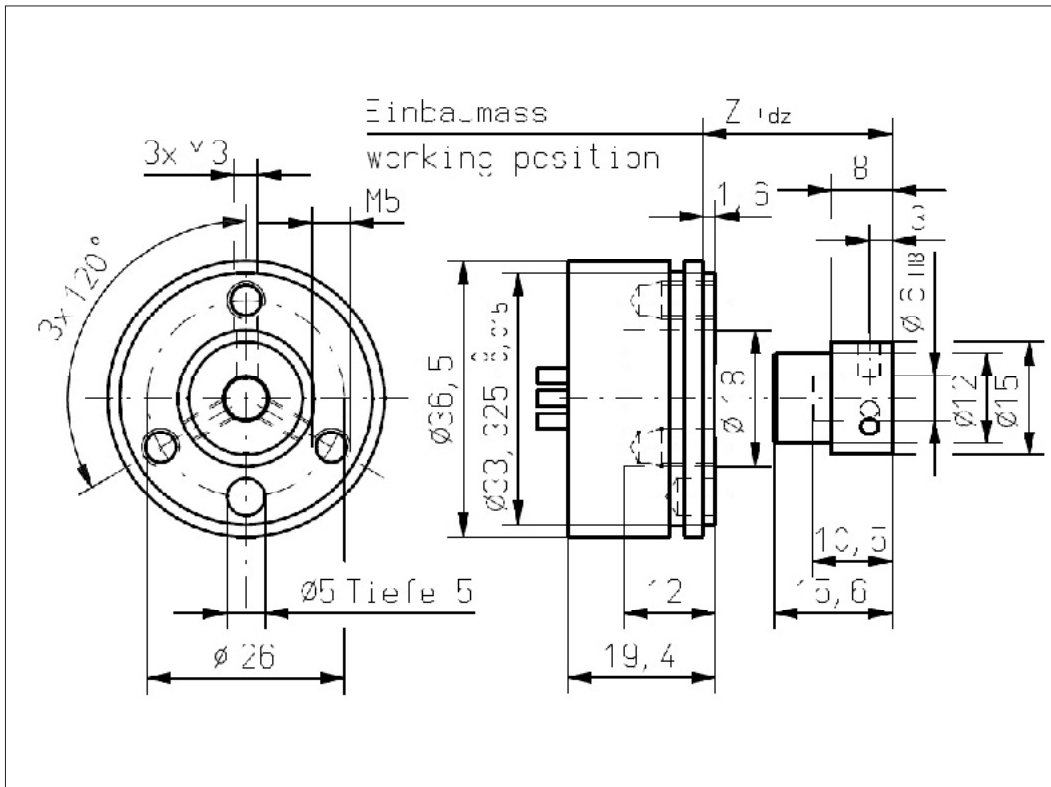
Vert-X 37E2 xxx xxx 5xx
Vert-X 37E2 xxx xxx 7xx

Accessoires (incl.)

- 1x Fixation clip
- 2x Slotted cylinder head screw M5x12

Working position (Z) and max. permitted misalignment of the magnetic actuator

see mounting information



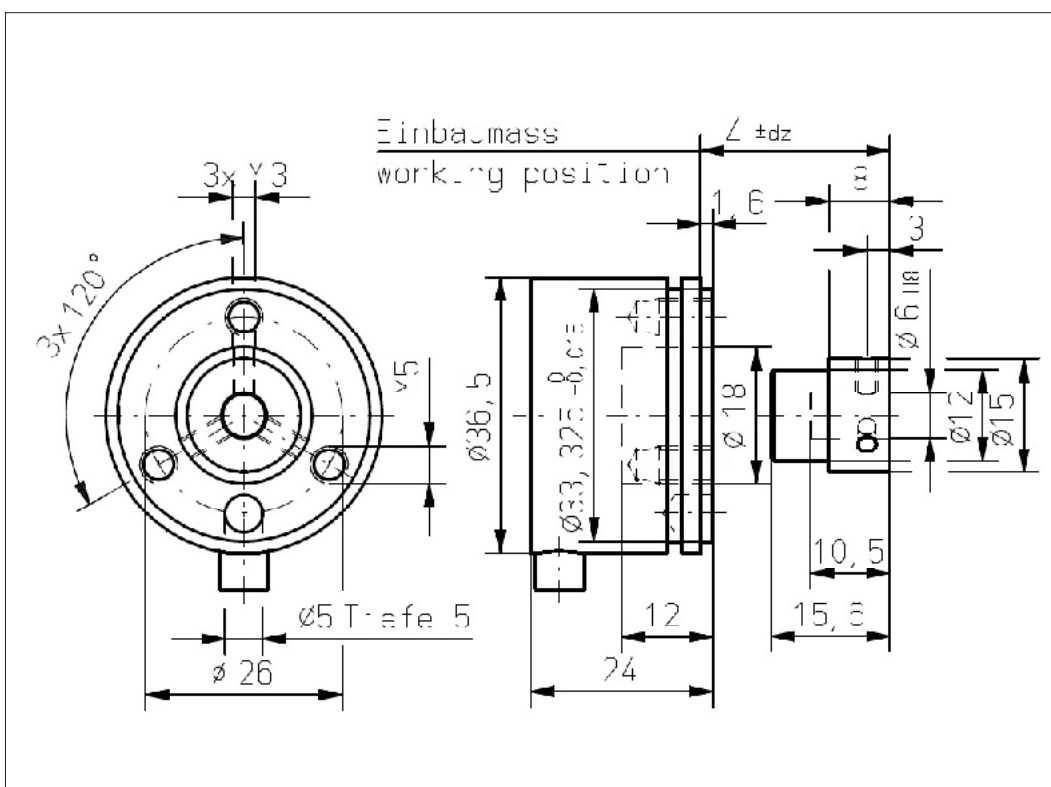
Vert-X 37E2 xxx xxx 4xx
Vert-X 37E2 xxx xxx 6xx

Accessoires (incl.)

- 1x Fixation clip
- 2x Slotted cylinder head screw M5x12

Working position (Z) and max. permitted misalignment of the magnetic actuator

see mounting information



Errors and omissions excepted. Subject to change without notice. / State: 31.10.11

Contelec AG
 Portstrasse 38
 CH-2503 Biel/Bienne
 Phone +41 (0)32 3665600
 Telefax +41 (0)32 3665604
 sales@contelec.ch



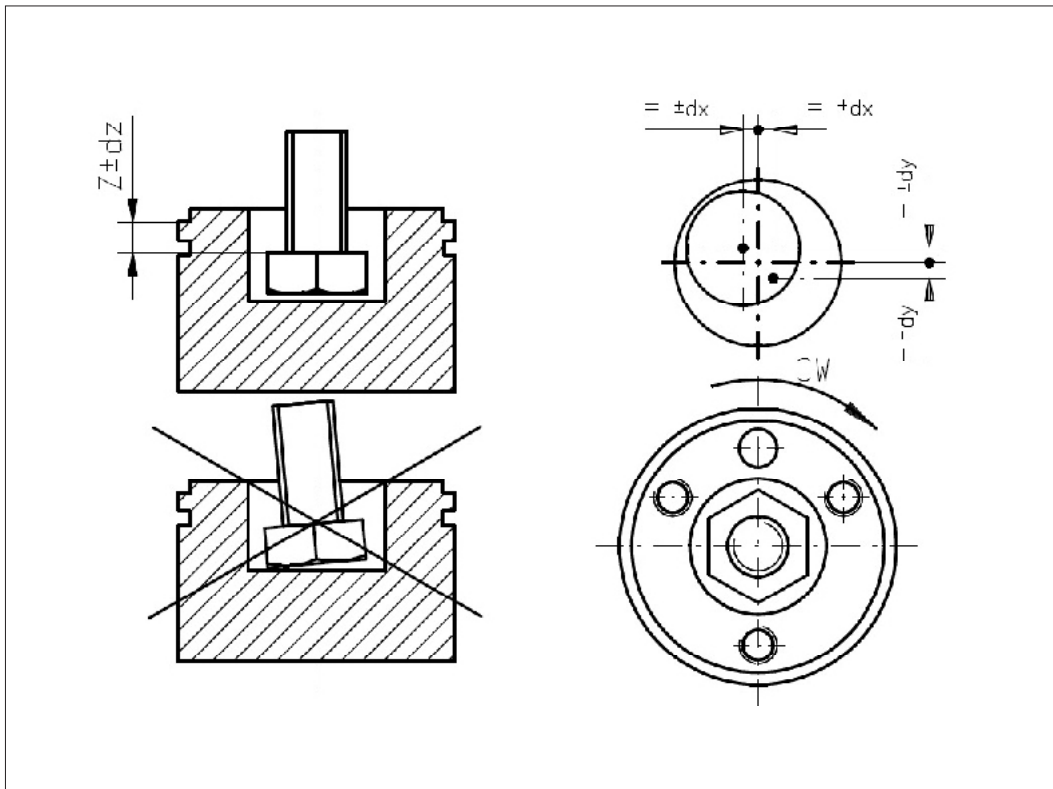
Vert-X 37E4
Mounting information

Working position (Z)

MH-C	3.85mm
MH-C redundant	4.35mm

Max. permitted misalignment of the magnetic actuator

dx	±0.25mm
dy	±0.25mm
dz	±0.5mm



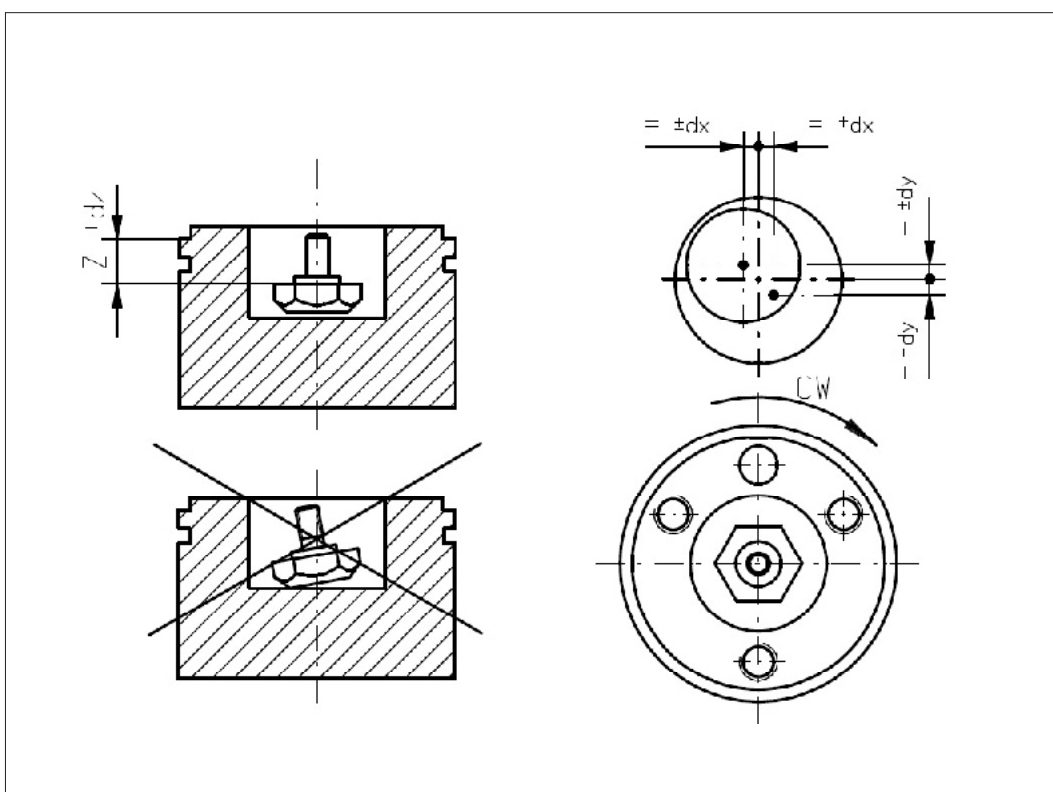
Vert-X 37E1
Mounting information

Working position (Z)

MH-C	4.95mm
MH-C redundant	5.45mm

Max. permitted misalignment of the magnetic actuator

dx	±0.25mm
dy	±0.25mm
dz	±0.5mm



Errors and omissions excepted. Subject to change without notice. / State: 31.10.11

Contelec AG
Portstrasse 38
CH-2503 Biel/Bienne
Phone +41 (0)32 3665600
Telefax +41 (0)32 3665604
sales@contelec.ch



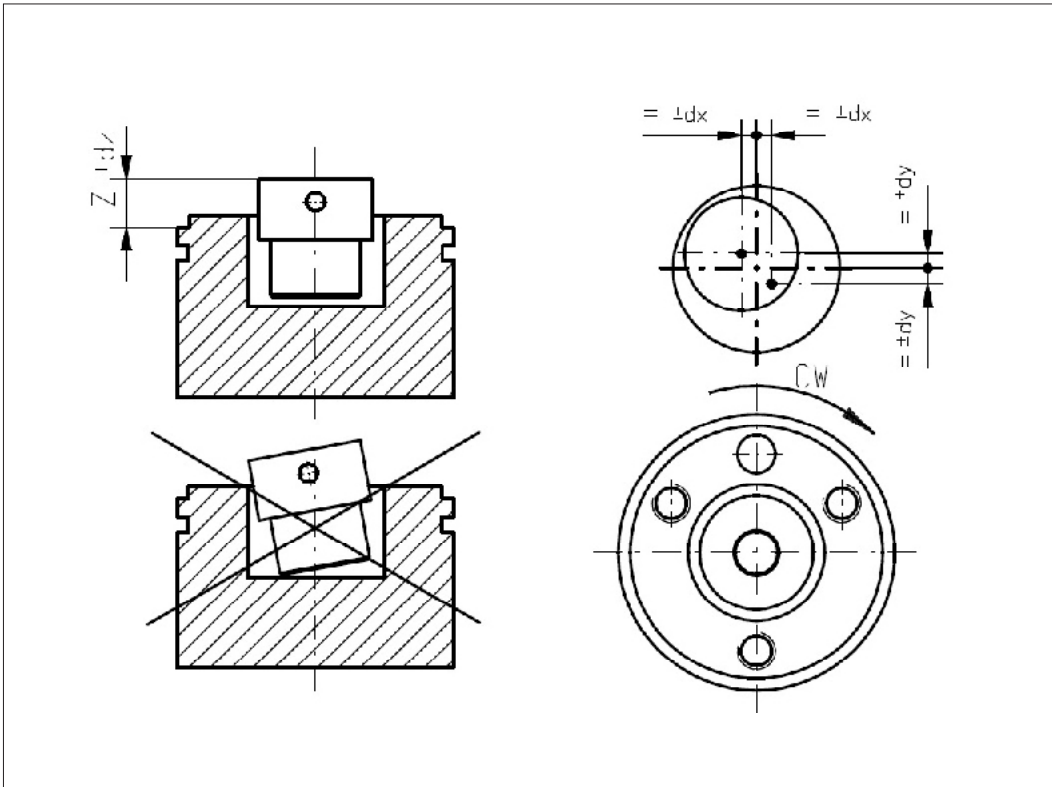
Vert-X 37E2
Mounting information

Working position (Z)

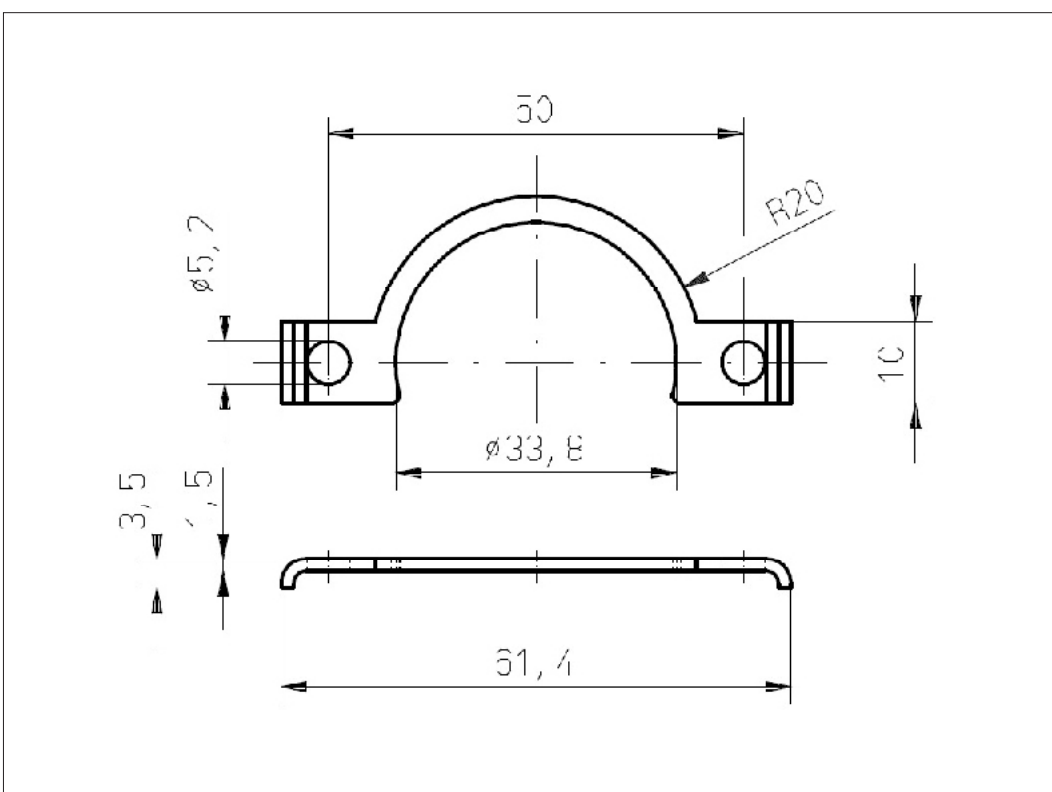
MH-C	6.45mm
MH-C redundant	5.95mm

**Max. permitted misalign-
ment of the magnetic
actuator**

dx	±0.25mm
dy	±0.25mm
dz	±0.5mm



Vert-X 37E
Accessoires
Fixation clip



Errors and omissions excepted. Subject to change without notice. / State: 31.10.11

Contelec AG
 Portstrasse 38
 CH-2503 Biel/Bienne
 Phone +41 (0)32 3665600
 Telefax +41 (0)32 3665604
 sales@contelec.ch