

Vert-X 31E - 5V / Incremental

Applications

- Concrete pump
- E-Motor feedback system
- Fork lift

Features

- High protection class IP68
- Compact dimensions
- Very fast, non-contacting measuring method
- Very long life
- Applications under adverse ambient conditions possible (humidity, dampness, dust, vibrations etc.)
- Several possible resolutions
- Low temperature coefficient of the output signal

Sensor principle		MH-X2
------------------	--	-------

Electrical data		
-----------------	--	--

Measuring range	°	0 ... 360
Indep. linearity (without misalignment)	%	±0.5
Indep. linearity (without allowed misalignment @ 360°)	%	±1
Max. hysteresis	°	0.5
Resolution	ppr/channel	256 (1-128 ; 512 ; 1024)
Max. repeatability	°	0.35
Max. temperature coefficient of the output signal	ppm/°K	5
Power supply voltage	VDC	5 (±10%)
Reverse polarity protection of power supply		no
Redundancy feasible		no

Output driver TTL		
-------------------	--	--

MTTFd / MTBF	years	711 / 711
Current consumption without load (typ.)	mA	18
Recommended ohmic load at output	kOhm	1
Max. capacitive load at output	nF	1
Electrical connection (A;B)		Cable 4pole
Cross section of single wires (A;B)	mm ²	0.35 (AWG22)
Electrical connection (A;B;Z)		Cable 6pole
Cross section of single wires (A;B;Z)	mm ²	0.25 (AWG24)

Output driver Differential RS-422		
-----------------------------------	--	--

MTTFd / MTBF	years	808 / 808
Current consumption without load (typ.)	mA	18
Recommended ohmic load at output	kOhm	0.12
Electrical connection (A;A';B;B')		Cable 6pole
Cross section of single wires (A;A';B;B')	mm ²	0.25 (AWG24)
Electrical connection (A;A';B;B';Z;Z')		Cable 10pole
Cross section of single wires (A;A';B;B';Z;Z')	mm ²	0.09 (AWG28)

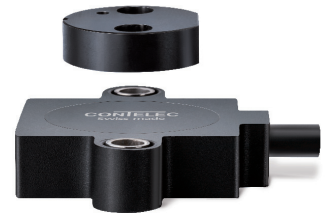
Output driver Open collector		
------------------------------	--	--

MTTFd / MTBF	years	479 / 479
Current consumption without load (typ.)	mA	18
Max. output current	mA	30
Max. output voltage	VDC	35
Electrical connection (A;B)		Cable 4pole
Cross section of single wires (A;B)	mm ²	0.35 (AWG22)
Electrical connection (A;B;Z)		Cable 6pole
Cross section of single wires (A;B;Z)	mm ²	0.25 (AWG24)

Errors and omissions excepted. Subject to change without notice. / State: 22.05.13

Contelec AG
 Portstrasse 38
 CH-2503 Biel/Bienne
 Phone +41 (0)32 3665600
 Telefax +41 (0)32 3665604
 sales@contelec.ch

CONTELEC
 A company of the Siedle-Group



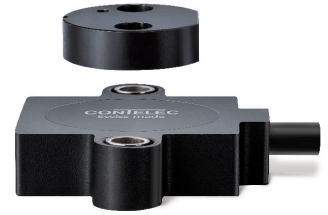
Vert-X 31E - 5V / Incremental

Mechanical data		
Mechanical angle	°	360 (continuous)
Protection class		IP68
Min. life	movements	no limitation
Operating & storage temperature	°C	-40 ... +85
IEC 68-2-6 Vibration (Amax = 0.75mm, f = 5 ... 2000 Hz)	g	50
IEC 68-2-27 Shock	g	200

Standards		
EN 55022 class B, Emission radiated (30... 230 MHz)	dB(µV/m)	max. 30
EN 55022 class B, Emission radiated (230...1000MHz)	dB(µV/m)	max. 37
EN 61000-4-2, ESD (contact discharge / air discharge)	kV	±4 / ±8
EN 61000-4-3, Immission HF radiated (80... 1000 MHz)	V/m	30
EN 61000-4-4, Burst (on all lines)	kV	±1
EN 61000-4-5, Surge (lines to ground)	kV	±1
EN 61000-4-6, Immission HF conducted (0.15...80MHz)	Vemk	10
EN 61000-4-8, Immission magnetic field (50Hz)	A/m	300
IEC 60393-1 Insulation resistance (500VDC, 1bar, 2s)	GOhm	20
IEC 60393-1 Dielectric strength (VAC, 50Hz, 1min, 1bar)	kV	1

Errors and omissions excepted. Subject to change without notice. / State: 22.05.13

Contelec AG
 Portstrasse 38
 CH-2503 Biel/Bienne
 Phone +41 (0)32 3665600
 Telefax +41 (0)32 3665604
 sales@contelec.ch



Vert-X 31E - 5V / Incremental
Ordering code

Output characteristics / Output driver														
TTL (A,B,Z)	Standard	1												
TTL (A,B)	Optional	2												
Differential RS-422 (A,A',B,B',Z,Z')	Optional	3												
Differential RS-422 (A,A',B,B')	Optional	4												
Open collector (A,B,Z)	Optional	7												
Open collector (A,B)	Optional	8												
Special output driver	Optional	9												
Output signal														
Incremental	Standard	7												
Power supply voltage														
5VDC	Standard	2												
Vert-X	3	1	E	5	a	6	3	6	2	7	1	6	0	2
Electrical connection														
1	Optional	Cable 10pole												
6	Standard	Cable 6pole												
8	Optional	Cable 4pole												
9	Optional	Special cable												
Length of cable														
02	Standard	1.0m												
06	Optional	3.0m												
10	Optional	5.0m												
99	Optional	Special length												
Electrical angle														
36	Standard	Electrical angle 360°												
Sensor principle														
6		MH-X2												
Mounting hole														
a	Standard	Through-hole ø 4.4mm												
b	Optional	Through-hole ø 4.4mm with counterbore ø 7.4mm												
Mechanical version														
31E5	Standard	Magnetic actuator type 5												
31E6	Standard	Magnetic actuator type 6												
31E7	Optional	Magnetic actuator type 7												
31E9	Optional	Special magnetic actuator												

	MH-X2
Custom magnetic actuator	X
Custom cable	X
Custom output driver	X
Custom resolution (1-128 ; 512 ; 1024ppr)	X
Output of absolut position at power-on	X

Options (on request)

Errors and omissions excepted. Subject to change without notice. / State: 22.05.13

Contelec AG
 Portstrasse 38
 CH-2503 Biel/Bienne
 Phone +41 (0)32 3665600
 Telefax +41 (0)32 3665604
 sales@contelec.ch



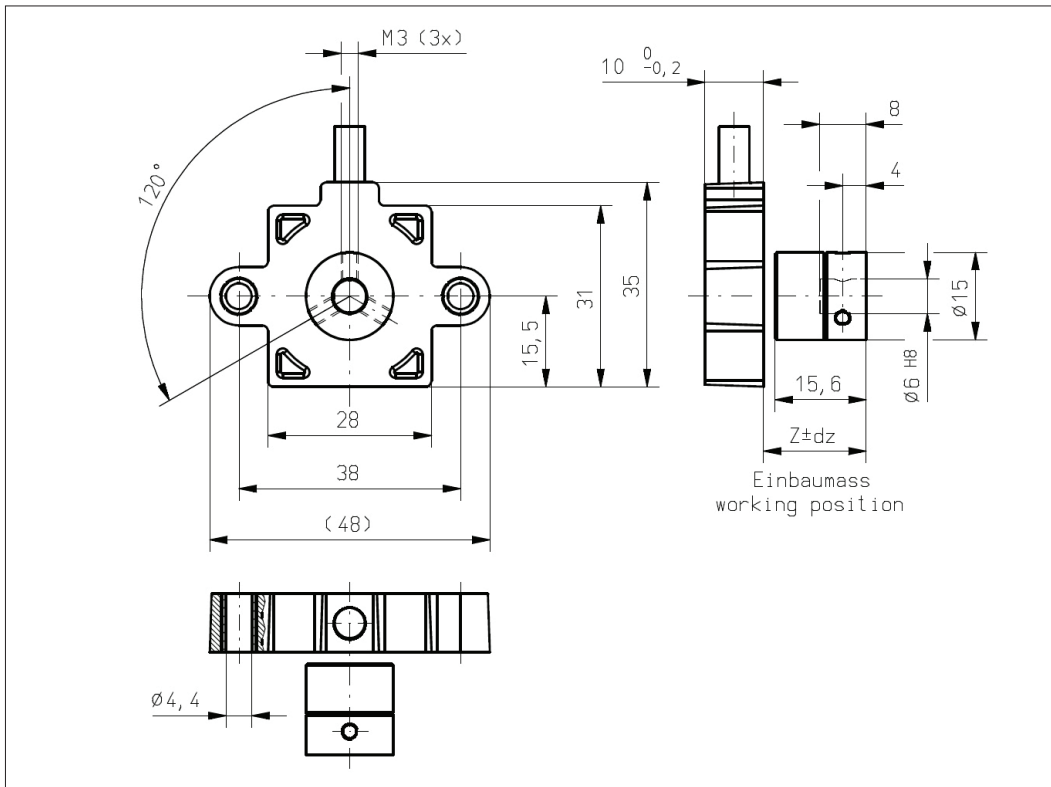
Vert-X 31E5axxx xxx xxx

Accessoires (incl.)

- None

Working position (Z) and max. permitted misalignment of the magnetic actuator

see mounting information



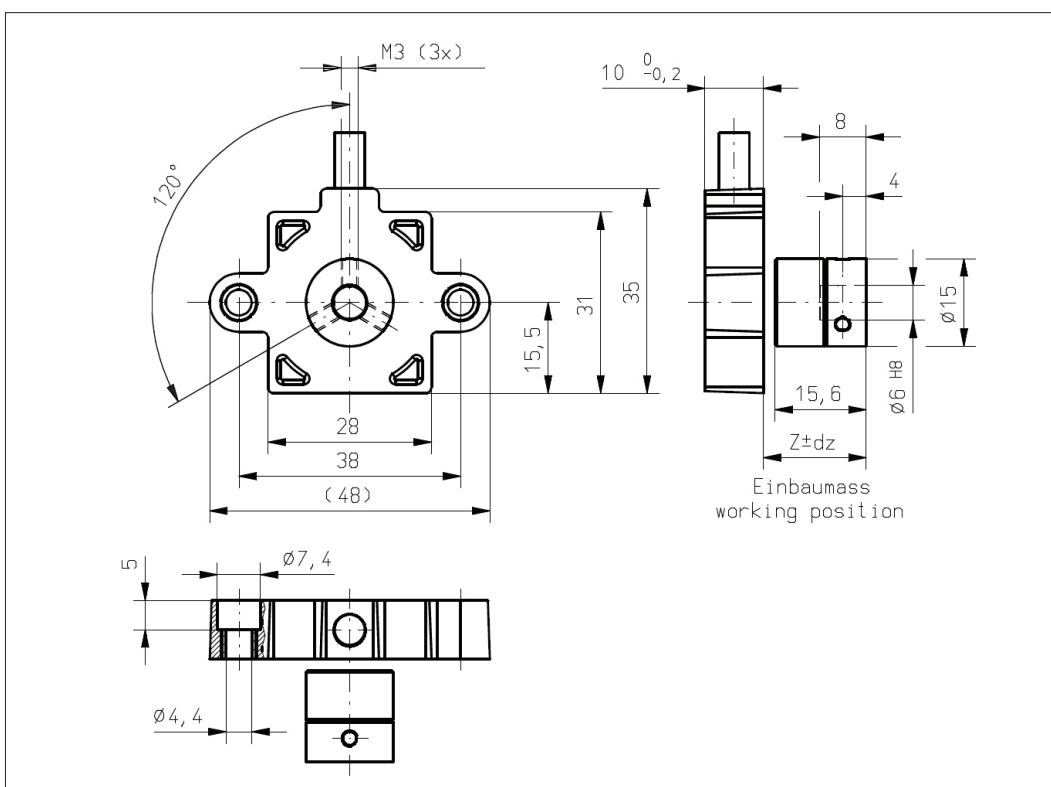
Vert-X 31E5bxxx xxx xxx

Accessoires (incl.)

- None

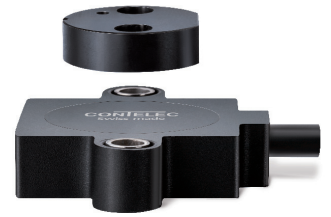
Working position (Z) and max. permitted misalignment of the magnetic actuator

see mounting information



Errors and omissions excepted. Subject to change without notice. / State: 22.05.13

Contelec AG
 Portstrasse 38
 CH-2503 Biel/Bienne
 Phone +41 (0)32 3665600
 Telefax +41 (0)32 3665604
 sales@contelec.ch



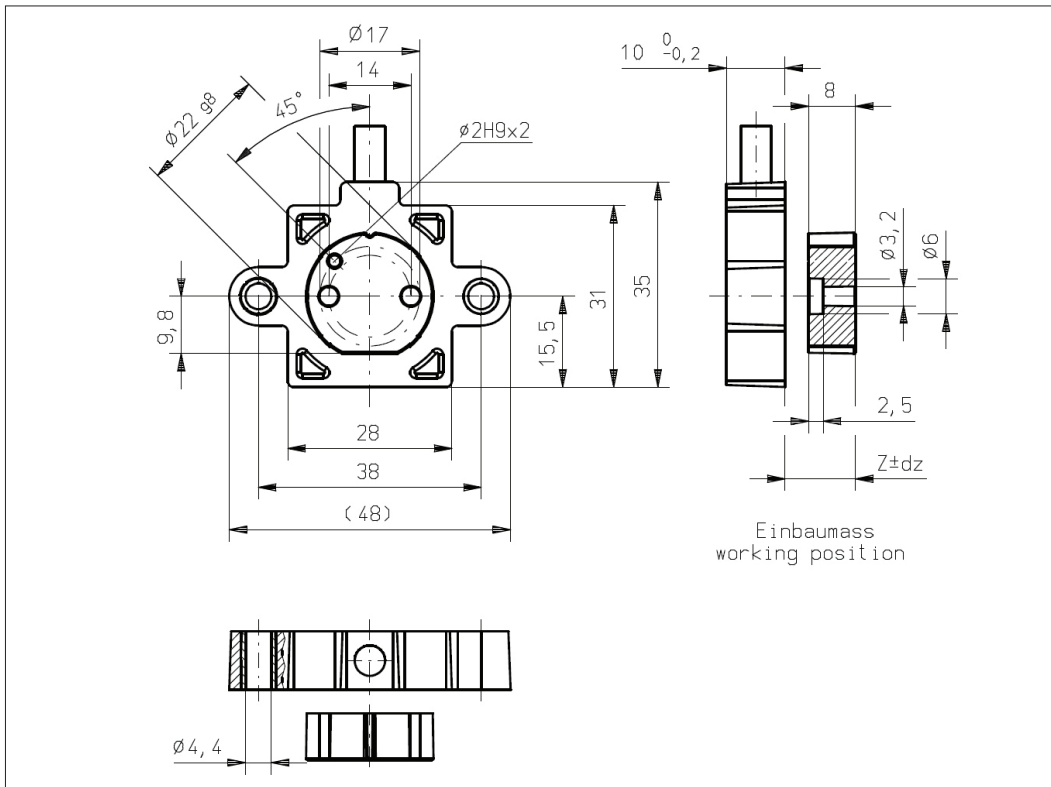
Vert-X 31E6axxx xxx xxx

Accessoires (incl.)

- None

Working position (Z) and max. permitted misalignment of the magnetic actuator

see mounting information



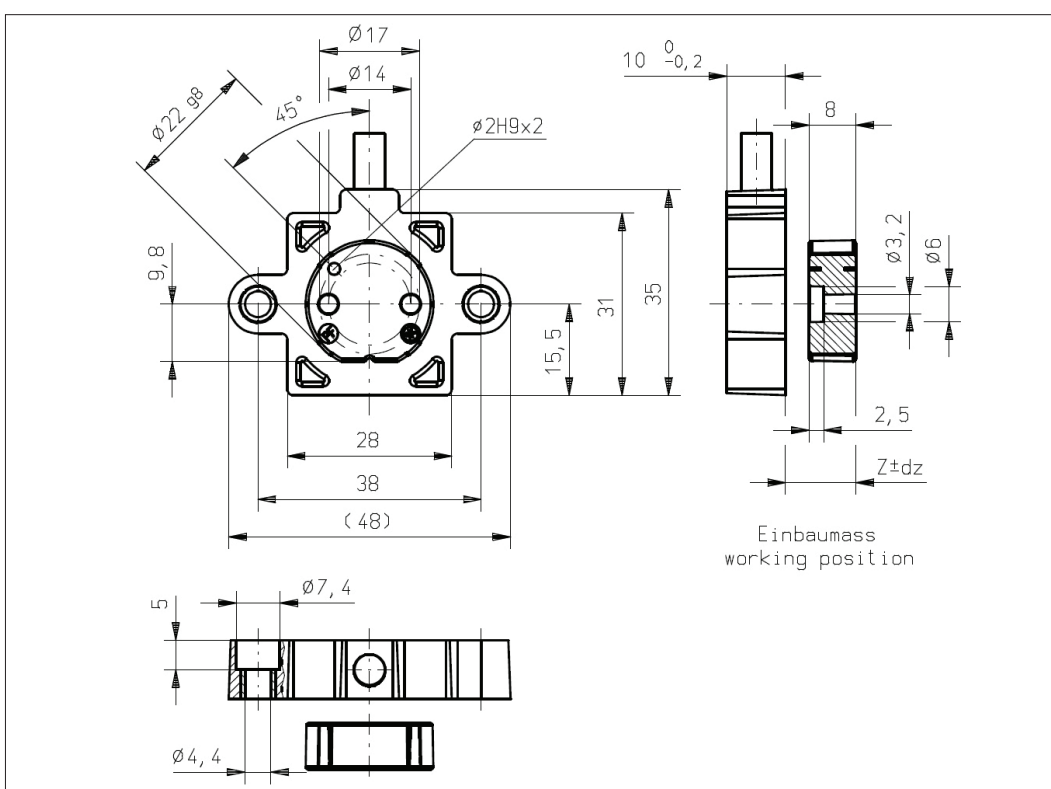
Vert-X 31E6bxxx xxx xxx

Accessoires (incl.)

- None

Working position (Z) and max. permitted misalignment of the magnetic actuator

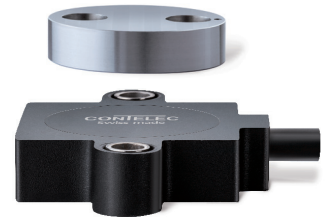
see mounting information



Errors and omissions excepted. Subject to change without notice. / State: 22.05.13

Contelec AG
 Portstrasse 38
 CH-2503 Biel/Bienne
 Phone +41 (0)32 3665600
 Telefax +41 (0)32 3665604
 sales@contelec.ch

CONTELEC
 A company of the Siedle-Group



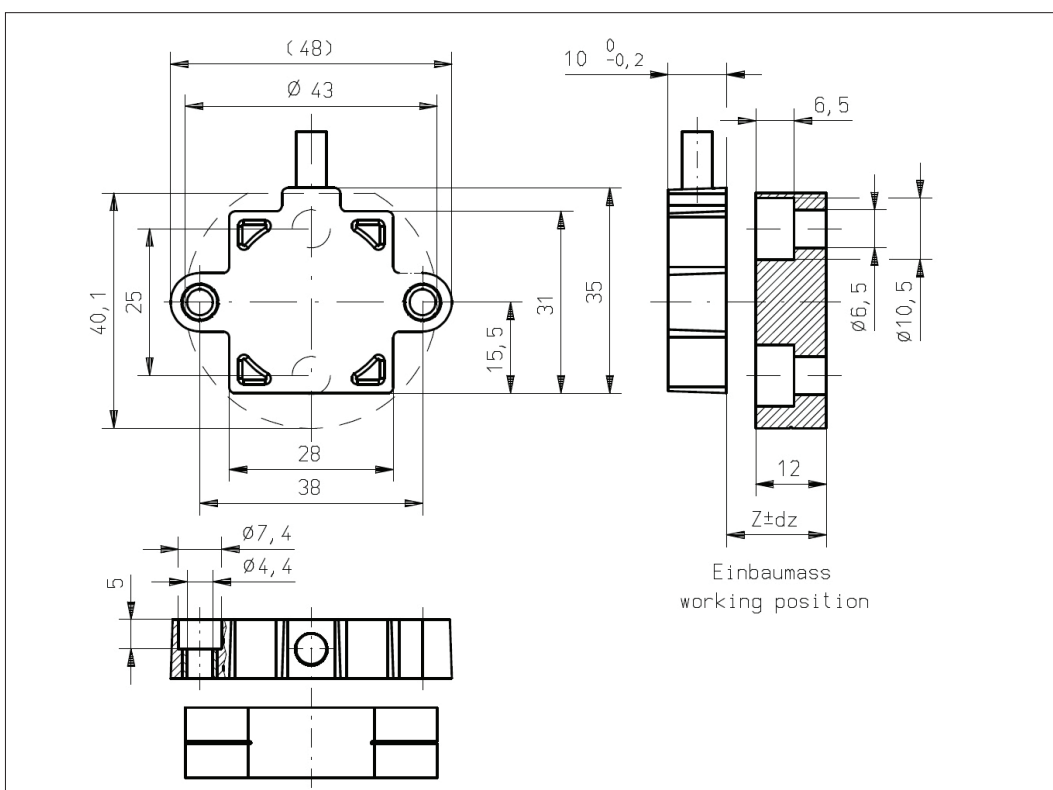
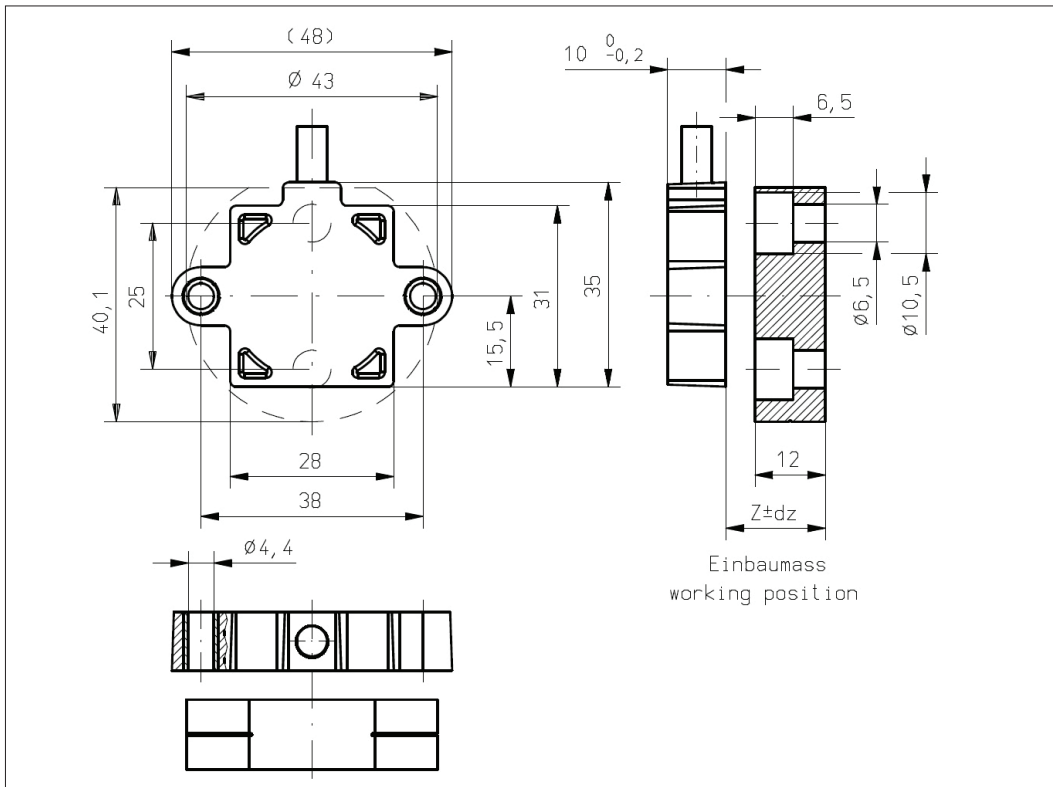
Vert-X 31E7axxx xxx xxx

Accessoires (incl.)

- None

Working position (Z) and max. permitted misalignment of the magnetic actuator

see mounting information



Vert-X 31E7bxxx xxx xxx

Accessoires (incl.)

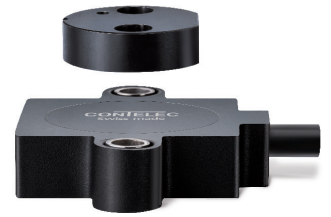
- None

Working position (Z) and max. permitted misalignment of the magnetic actuator

see mounting information

Errors and omissions excepted. Subject to change without notice. / State: 22.05.13

Contelec AG
 Portstrasse 38
 CH-2503 Biel/Bienne
 Phone +41 (0)32 3665600
 Telefax +41 (0)32 3665604
 sales@contelec.ch



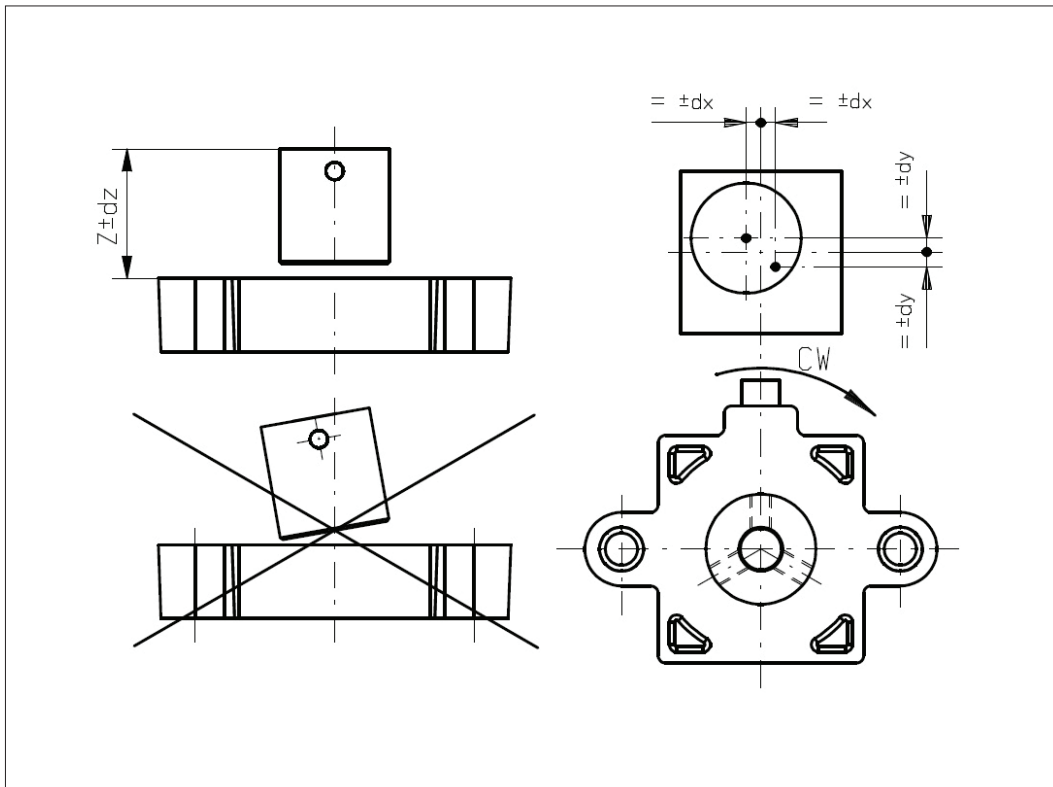
Vert-X 31E5

Mounting information

Working position (Z)
MH-X2 16.10mm

Max. permitted misalignment of the magnetic actuator

dx	±0.50mm
dy	±0.50mm
dz	±0.30mm



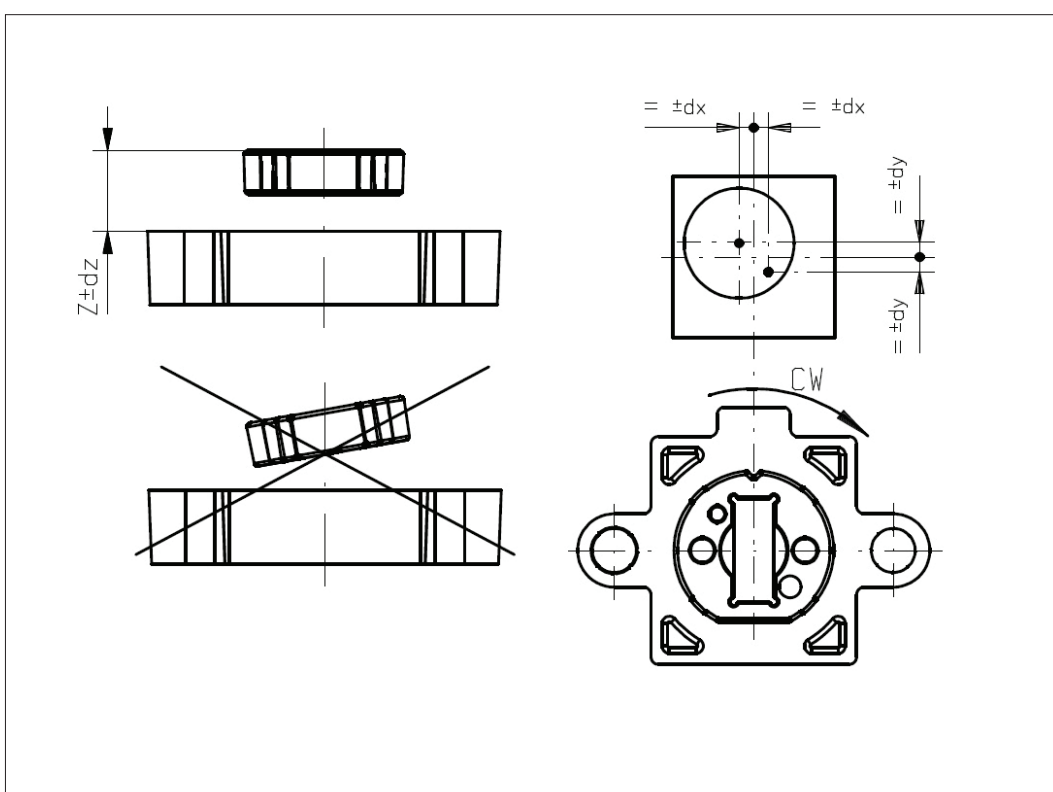
Vert-X 31E6

Mounting information

Working position (Z)
MH-X2 8.70mm

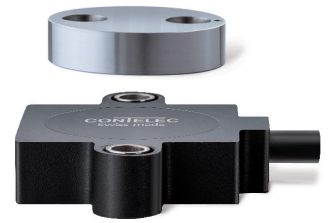
Max. permitted misalignment of the magnetic actuator

dx	±0.50mm
dy	±0.50mm
dz	±0.50mm



Errors and omissions excepted. Subject to change without notice. / State: 22.05.13

Contelec AG
Portstrasse 38
CH-2503 Biel/Bienne
Phone +41 (0)32 3665600
Telefax +41 (0)32 3665604
sales@contelec.ch



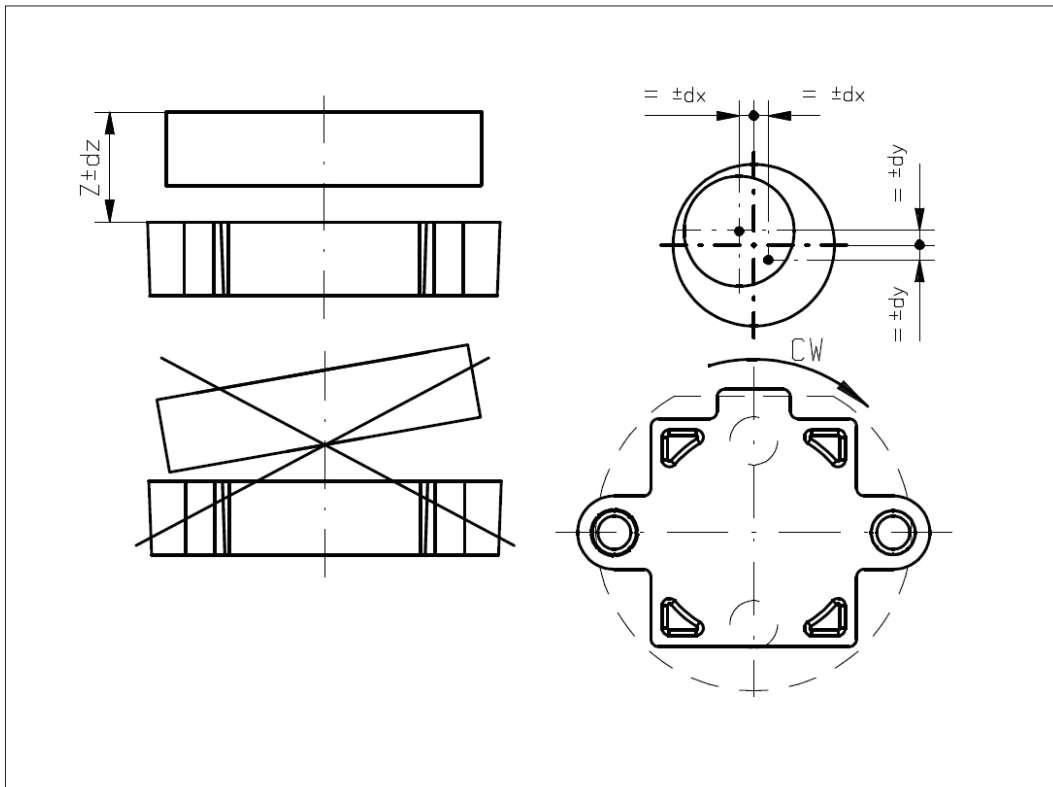
Vert-X 31E7

Mounting information

Working position (Z)
MH-X2 13.00mm

Max. permitted misalign- ment of the magnetic actuator

dx	±1.00mm
dy	±1.00mm
dz	±0.80mm



Errors and omissions excepted. Subject to change without notice. / State: 22.05.13

Contelec AG
Portstrasse 38
CH-2503 Biel/Bienne
Phone +41 (0)32 3665600
Telefax +41 (0)32 3665604
sales@contelec.ch

CONTELEC
A company of the Siedle-Group