



## Vert-X 13E - 5V / SPI

### Applications

- Servodrives
- Insetting machines
- Sewer inspection robots
- Medical applications

### Features

- High protection class IP68
- Very compact dimensions
- Non-contacting measuring method
- Very long life
- High accuracy of measurement
- Use in cramped installation conditions
- Full resolution and accuracy at programmed electrical angle

Sensor principle		MH-C	MH-C2
<b>Electrical data</b>			
Measuring range	°	0 ... 360	-
Indep. linearity (without misalignment)	% of meas. range	±0.3	-
Indep. linearity (with allowed misalignment @ 360°)	% of meas. range	±0.5	-
Max. hysteresis	°	0.1	-
Resolution	bit	14	-
Max. repeatability	°	0.1	-
System propagation delay fast mode	kHz	2.2	-
System propagation delay slow mode	kHz	(0.55)	-
System propagation delay fast mode	µs	400	-
System propagation delay slow mode	µs	(600)	-
Max. temperature coefficient of the output signal	ppm/°K	25	-
MTTFd / MTBF	years	668/668	-
Power supply voltage	VDC	5 (±10%)	-
Current consumption without load (typ.) fast mode	mA	14	-
Current consumption without load (typ.) slow mode	mA	(9)	-
Min. ohmic load at output	kOhm	-	-
Max. capacitive load at output	nF	-	-
Reverse polarity protection of power supply		yes	-
Electrical connection axial		Wires (3x)	-
Cross section of single wires	mm <sup>2</sup>	0.25 (AWG24)	-
Electrical connection radial		Cable 3pole	-
Cross section of single wires	mm <sup>2</sup>	0.25 (AWG24)	-
Redundancy feasible		no	-

### Mechanical data

Mechanical range	°	360 (continuous)	-
Protection class		IP68	-
Min. life	movements	no limitation	-
Operating & storage temperature (with ribbon cable)	°C	-40 ... +105	-
Operating & storage temperature (with round cable)	°C	-40 ... +85	-
IEC 68-2-6 Vibration (Amax = 0.75mm, f = 5 ... 2000 Hz)	g	50	-
IEC 68-2-27 Shock	g	200	-

### Standards

EN 55022 classe B, Emission radiated (30... 230 MHz)	dB(µV/m)	max. 30	-
EN 55022 classe B, Emission radiated (230...1000MHz)	dB(µV/m)	max. 37	-
EN 61000-4-2, ESD (contact discharge / air discharge)	kV	±4 / ±8	-
EN 61000-4-3, Immission HF radiated (80... 1000 MHz)	V/m	100	-
EN 61000-4-4, Burst (on all lines)	kV	±1	-
EN 61000-4-5, Surge (lines to ground)	kV	±1	-
EN 61000-4-6, Immission HF conducted (0.15...80MHz)	Vemk	10	-
EN 61000-4-8, Immission magnetic field (50Hz)	A/m	300	-
IEC 60393-1 Insulation resistance (500VDC, 1bar, 2s)	GOhm	20	-
IEC 60393-1 Dielectric strength (VAC, 50Hz, 1min, 1bar)	kV	1	-

Errors and omissions excepted. Subject to change without notice. State: 15.01.14

Contelec AG  
 Portstrasse 38  
 CH-2503 Biel/Bienne  
 Phone +41 (0)32 3665600  
 Telefax +41 (0)32 3665604  
 sales@contelec.ch

**CONTELEC**  
 A company of the Siedle-Group



## Vert-X 13E - 5V / SPI Ordering code

		<b>Output characteristics</b>				<b>Electrical connection / axial</b>					
		Positive gradient CW	Standard	1			1	Standard	Ribbon cable 6pole		
		Positive gradient CCW	Optional	2			9	Optional	Special cable		
		Redundant, positive gradient CW	Optional	3			<b>Electrical connection / radial</b>				
		Redundant, positive gradient CCW	Optional	4			6	Standard	Round cable 6pole		
		Redundant, crossed signal curves	Optional	5			9	Optional	Special cable		
		<b>Output signal</b>				<b>Length of ribbon cable</b>					
		SPI	Standard	8			01	Optional	10cm		
		<b>Power supply voltage</b>						02	Standard	20cm	
		5VDC	Standard	2			03	Optional	30cm		
								04	Optional	40cm	
								05	Optional	50cm	
								99	Optional	Special length	
								<b>Length of cable</b>			
								02	Standard	1.0m	
								06	Optional	3.0m	
								10	Optional	5.0m	
								99	Optional	Special length	
								<b>Electrical angle</b>			
								36	Standard	Electrical angle 360°	
								xx	Optional	03 to 35; Declaration in 10° steps	
								99	Optional	Special angle	
								<b>Sensor principle</b>			
								7	MH-C		
								<b>Mechanical version</b>			
								13E3	Standard	Servo mount ; magnetic actuator type 3	
								13E9	Optional	Special housing ; special magnetic actuator	
								<b>Vert-X</b>			
								1	3	E	3
								7	3	6	
								2	8	1	
								1	0	2	

	MH-C	MH-C2
Custom magnetic actuator	X	-
Custom modification of the housing	X	-
Custom cable / wires	X	-
Sample rate in slow mode	X	-
Switch functions TTL (max. 2)	-	-
Special characteristic curve	-	-
Special electrical angle within 30° to 360° (ex factory)	X	-
Electrical angle programmable (Software)	-	-
Start & end point settable (Additional wires)	-	-
Sense of rotation CW/CCW settable / programmable (Additional wires or Software)	-	-
Index point settable / programmable (Additional wires or Software)	-	-

### Options (on request)

Errors and omissions excepted. Subject to change without notice. State: 15.01.14

Contelec AG  
Portstrasse 38  
CH-2503 Biel/Bienne  
Phone +41 (0)32 3665600  
Telefax +41 (0)32 3665604  
sales@contelec.ch

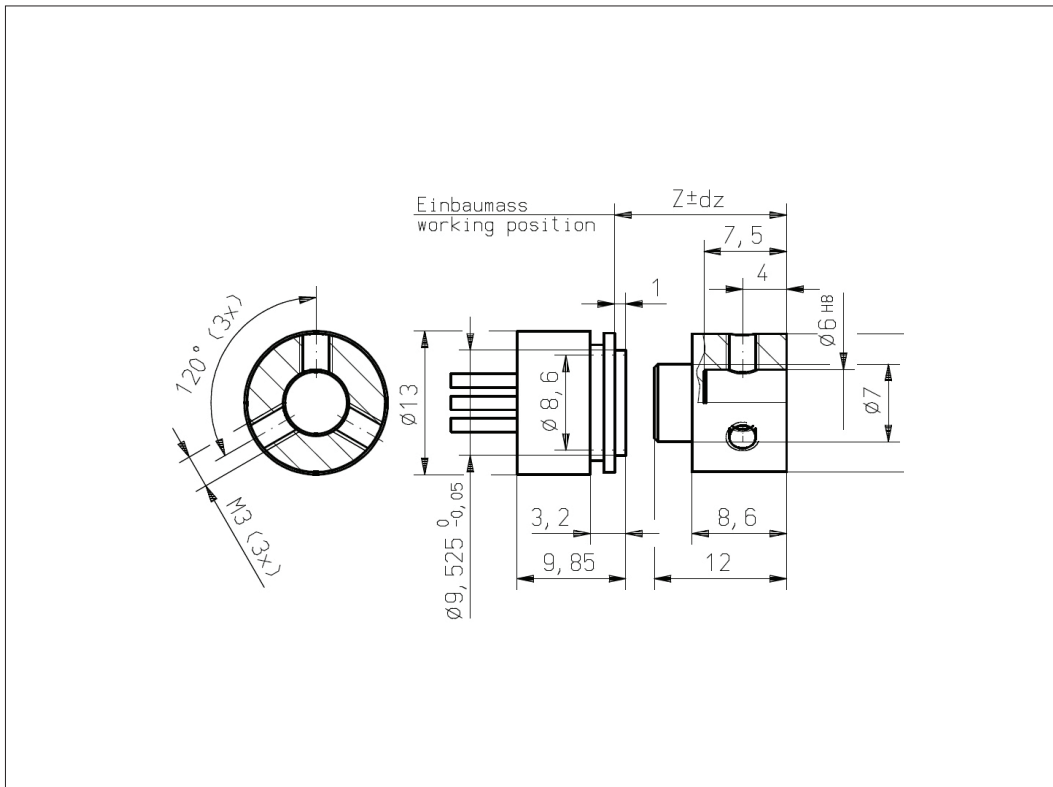


### Vert-X 13E3 xxx xxx 1xx

#### Accessoires (incl.)

- 1x Fixation clip
- 2x Slotted cylinder head screw M3x8

**Working position (Z) and max. permitted misalignment of the magnetic actuator**  
see mounting information

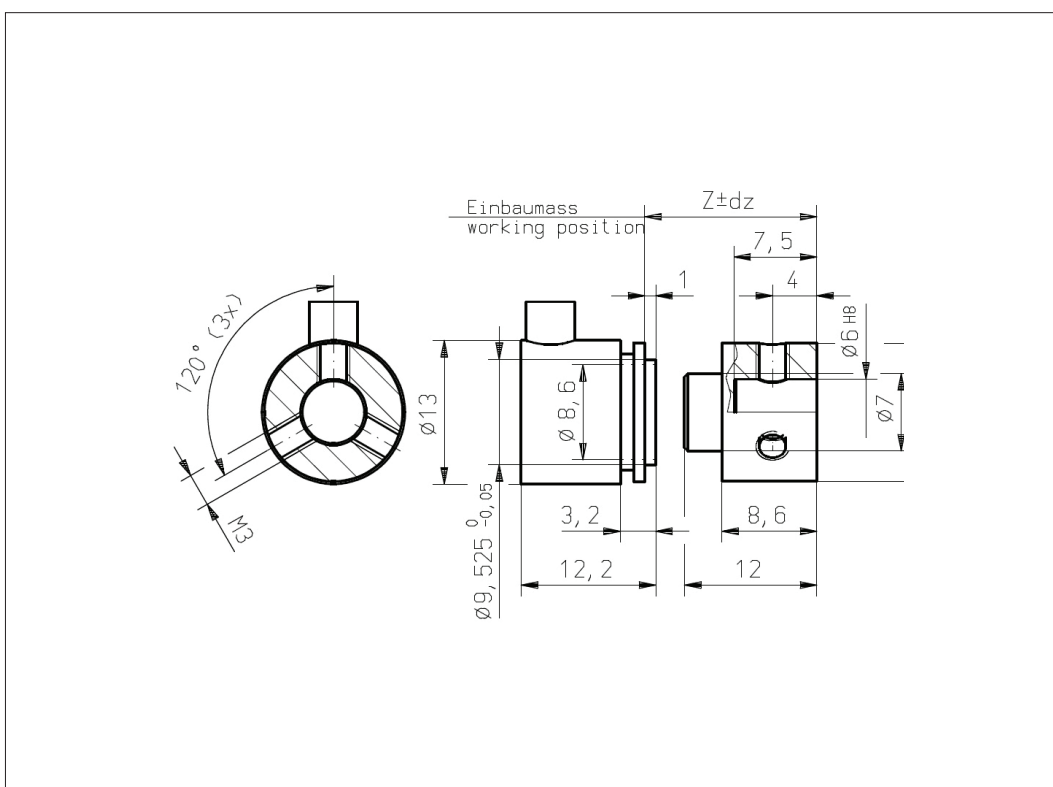


### Vert-X 13E3 xxx xxx 6xx

#### Accessoires (incl.)

- 1x Fixation clip
- 2x Slotted cylinder head screw M3x8

**Working position (Z) and max. permitted misalignment of the magnetic actuator**  
see mounting information



Errors and omissions excepted. Subject to change without notice. State: 15.01.14

Contelec AG  
Portstrasse 38  
CH-2503 Biel/Bienne  
Phone +41 (0)32 3665600  
Telefax +41 (0)32 3665604  
sales@contelec.ch

**CONTELEC**  
A company of the Siedle-Group



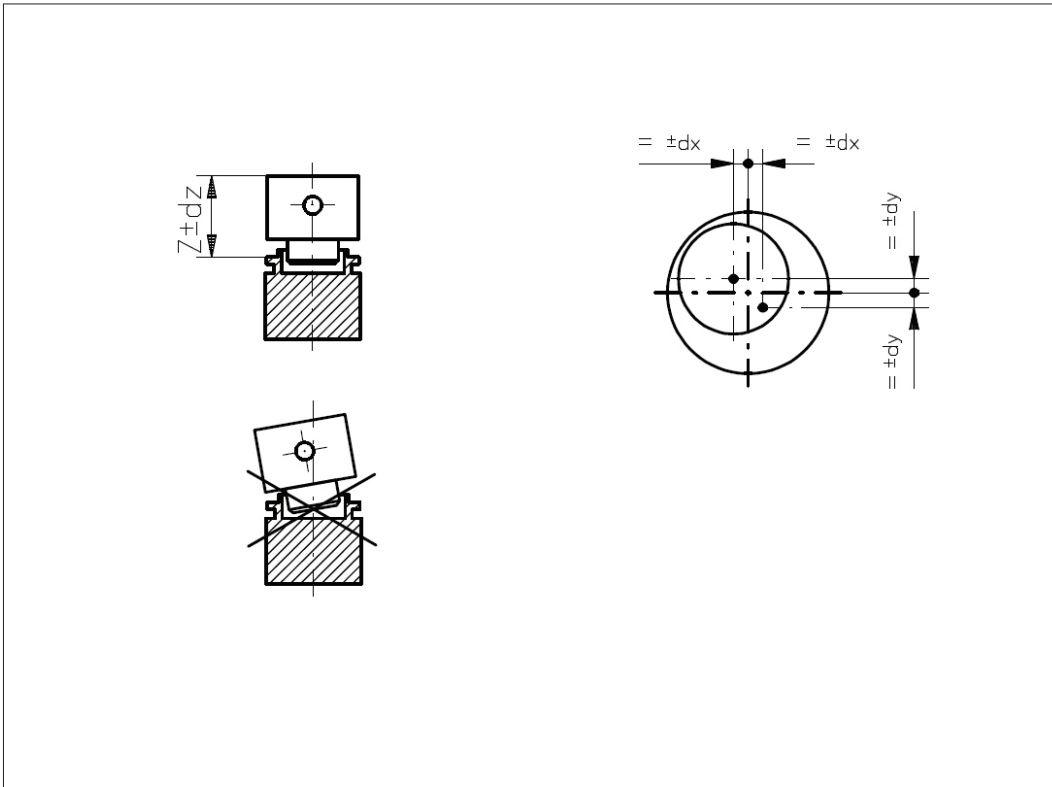
**Vert-X 13E**  
**Mounting information**

**Working position (Z)**

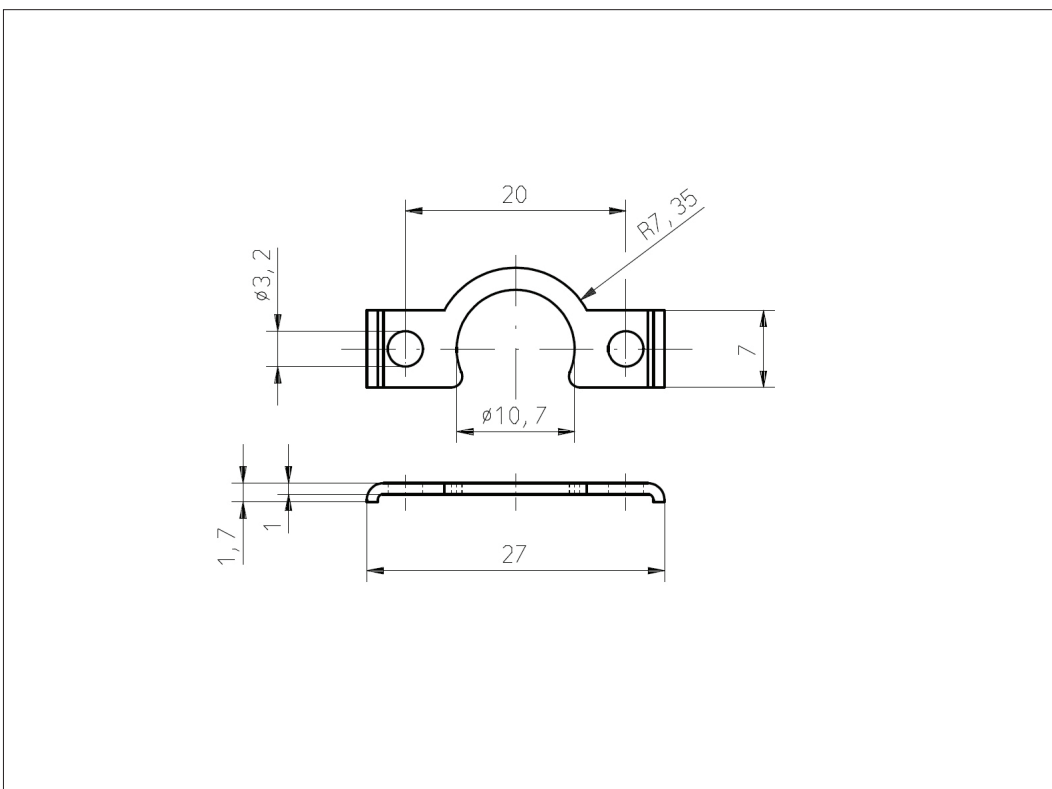
MH-C	11.05mm
MH-C redundant	10.55mm

**Max. permitted misalign-  
ment of the magnetic  
actuator**

dx	±0.25mm
dy	±0.25mm
dz	±0.50mm



**Vert-X 13E**  
**Accessoires**  
Fixation clip



Errors and omissions excepted. Subject to change without notice. State: 15.01.14

Contelec AG  
Portstrasse 38  
CH-2503 Biel/Bienne  
Phone +41 (0)32 3665600  
Telefax +41 (0)32 3665604  
sales@contelec.ch