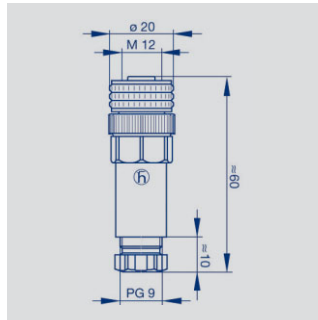
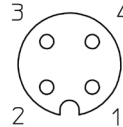


## Accessories Connector System M12



Pin assignment



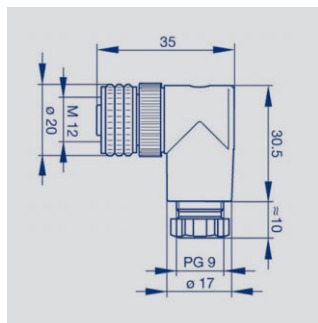
IP67

M12x1 Mating female connector, 4-pin, straight, with coupling nut, screw termination, IP67, not shielded

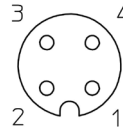
|                   |                 |
|-------------------|-----------------|
| Connector housing | Plastic PBT     |
|                   | -25 °C...+90 °C |

|                |                                     |
|----------------|-------------------------------------|
| For wire gauge | 6...8 mm, max. 0.75 mm <sup>2</sup> |
|----------------|-------------------------------------|

|      |                       |
|------|-----------------------|
| Type | EEM 33-88, P/N 005633 |
|------|-----------------------|



Pin assignment



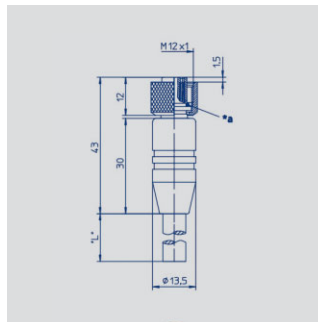
IP67

M12x1 Mating female connector, 4-pin, angled, with coupling nut, screw termination, IP67, not shielded

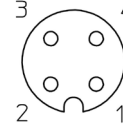
|                   |                 |
|-------------------|-----------------|
| Connector housing | Plastic PBT     |
|                   | -25 °C...+90 °C |

|                |                                     |
|----------------|-------------------------------------|
| For wire gauge | 6...8 mm, max. 0.75 mm <sup>2</sup> |
|----------------|-------------------------------------|

|      |                       |
|------|-----------------------|
| Type | EEM 33-89, P/N 005634 |
|------|-----------------------|



Pin assignment



IP67

UL



- 1 = brown
- 2 = white
- 3 = blue
- 4 = black

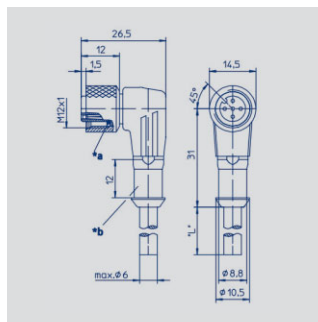
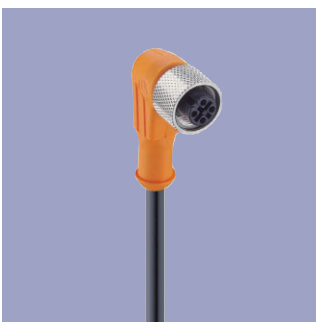
M12x1 Mating female connector, 4-pin, straight, with molded cable, shielded, IP67, open ended

|                   |            |
|-------------------|------------|
| Connector housing | Plastic PA |
|-------------------|------------|

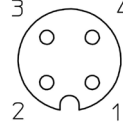
|              |   |
|--------------|---|
| Cable sheath | PUR; Ø = max. 6 mm, -25 °C...+80 °C (moved) -50 °C...+80 °C (fixed) |
|--------------|---|

|       |                          |
|-------|--------------------------|
| Wires | PP, 0.34 mm <sup>2</sup> |
|-------|--------------------------|

| Length | Type      | P/N    |
|--------|-----------|--------|
| 2 m    | EEM 33-32 | 005600 |
| 5 m    | EEM 33-62 | 005609 |
| 10 m   | EEM 33-97 | 005650 |



Pin assignment



IP67

UL



- 1 = brown
- 2 = white
- 3 = blue
- 4 = black

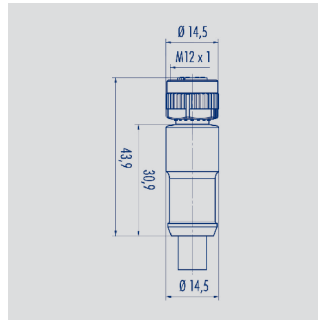
M12x1 Mating female connector, 4-pin, angled, with molded cable, shielded, IP67, open ended

|                   |            |
|-------------------|------------|
| Connector housing | Plastic PA |
|-------------------|------------|

|              |   |
|--------------|---|
| Cable sheath | PUR; Ø = max. 6 mm, -25 °C...+80 °C (moved) -50 °C...+80 °C (fixed) |
|--------------|---|

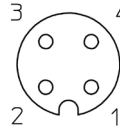
|       |                          |
|-------|--------------------------|
| Wires | PP, 0.34 mm <sup>2</sup> |
|-------|--------------------------|

| Length | Type      | P/N    |
|--------|-----------|--------|
| 2 m    | EEM 33-33 | 005601 |
| 5 m    | EEM 33-63 | 005610 |
| 10 m   | EEM 33-99 | 005696 |



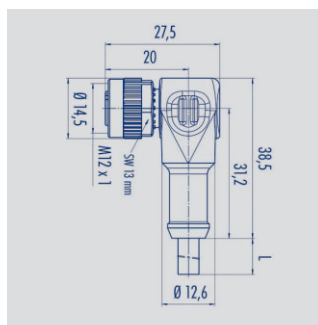
Pin assignment

- 1 = brown
- 2 = white
- 3 = blue
- 4 = black



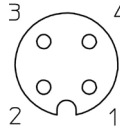
M12x1 Mating female connector, 4-pin, straight, with molded cable, not shielded, IP67, open ended

|                   |   |        |
|-------------------|---|--------|
| Connector housing | Plastic PA                                  |        |
| Cable sheath      | PUR; Ø = max. 6 mm, -40 °C...+85 °C (fixed) |        |
| Wires             | PP, 0.34 mm <sup>2</sup>                    |        |
| Length            | Type  | P/N    |
| 2 m               | EEM 33-35                                   | 056135 |
| 5 m               | EEM 33-36                                   | 056136 |
| 10 m              | EEM 33-37                                   | 056137 |



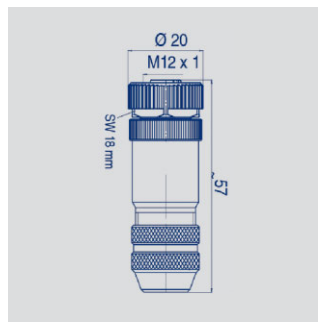
Pin assignment

- 1 = brown
- 2 = white
- 3 = blue
- 4 = black



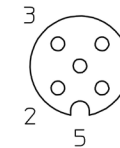
M12x1 Mating female connector, 4-pin, angled, with molded cable, not shielded, IP67, open ended

|                   |   |        |
|-------------------|---|--------|
| Connector housing | Plastic PA                                  |        |
| Cable sheath      | PUR; Ø = max. 6 mm, -40 °C...+85 °C (fixed) |        |
| Wires             | PP, 0.34 mm <sup>2</sup>                    |        |
| Length            | Type  | P/N    |
| 2 m               | EEM 33-38                                   | 056138 |
| 5 m               | EEM 33-39                                   | 056139 |
| 10 m              | EEM 33-40                                   | 056140 |



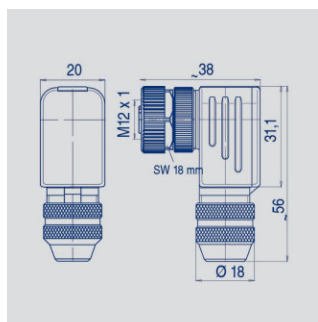
Pin assignment

- 1 = brown
- 2 = white
- 3 = blue
- 4 = black



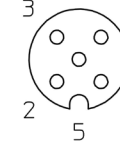
M12x1 Mating female connector, 5-pin, straight, with coupling nut, screw termination, IP67, shielded, CAN-Bus

|                   |                                     |  |
|-------------------|-------------------------------------|--|
| Connector housing | Metal<br>-40 °C...+85 °C            |  |
| For wire gauge    | 6...8 mm, max. 0.75 mm <sup>2</sup> |  |
| Type              | EEM 33-73, P/N 005645               |  |



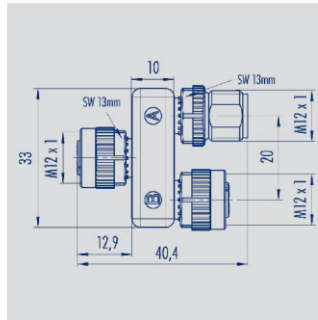
Pin assignment

- 1 = brown
- 2 = white
- 3 = blue
- 4 = black



M12x1 Mating female connector, 5-pin, angled, with coupling nut, screw termination, IP67, shielded, CAN-Bus

|                   |                                     |  |
|-------------------|-------------------------------------|--|
| Connector housing | Metal<br>-40 °C...+85 °C            |  |
| For wire gauge    | 6...8 mm, max. 0.75 mm <sup>2</sup> |  |
| Type              | EEM 33-75, P/N 005646               |  |



Pin assignment



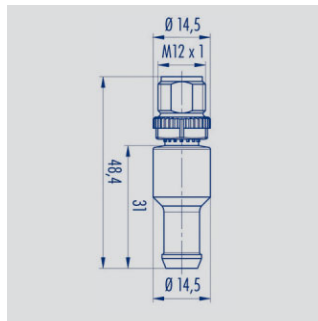
M12x1 splitter / T-connector, 5-pin, IP68, 1:1 connection, female - male - female, CAN-Bus

Connector housing PUR

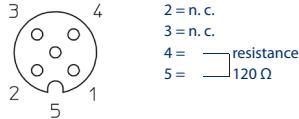
Temperature

range -25 °C... +85 °C

Type EEM 33-45, P/N 056145



Pin assignment



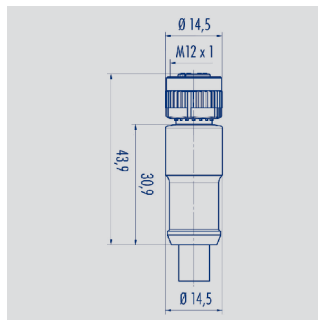
M12x1 terminating resistor, 5-pin, IP67, 120 Ω resistance, CAN-Bus

Connector housing PUR

Temperature

range -25 °C... +85 °C

Type EEM 33-47, P/N 056147



Pin assignment

- 1 = shield
- 2 = red (0,34 mm<sup>2</sup>)
- 3 = black (0,34 mm<sup>2</sup>)
- 4 = white (0,25 mm<sup>2</sup>)
- 5 = blue (0,25 mm<sup>2</sup>)



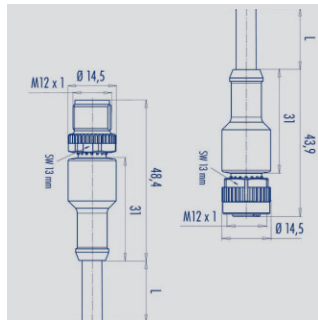
M12x1 Mating female connector, 5-pin, straight, with molded cable, IP67, shielded, open ended, CAN-Bus

Connector housing PUR

Cable sheath PUR Ø = max. 7.2 mm, -25 °C...+85 °C (moved)

Wires PP 2x 0.25 mm<sup>2</sup> + 2 x 0.34 mm<sup>2</sup>

| Length | Type      | P/N    |
|--------|-----------|--------|
| 2 m    | EEM 33-41 | 056141 |
| 5 m    | EEM 33-42 | 056142 |
| 10 m   | EEM 33-43 | 056143 |



Pin assignment



M12x1 Mating female connector, 5-pin, straight, with molded cable, IP68, CAN-Bus

Connector housing PUR

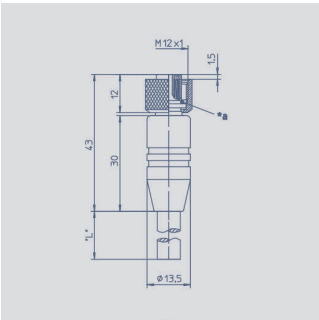
Cable sheath PUR; Ø 7.2 mm -25 °C... +85 °C (fixed)

| Length | Type      | P/N    |
|--------|-----------|--------|
| 5 m    | EEM 33-44 | 056144 |

Novotechnik U.S., Inc.  
155 Northboro Road  
Southborough, MA 01772

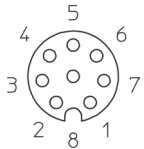
Phone 508 485 2244  
Fax 508 485 2430  
info@novotechnik.com  
www.novotechnik.com

© 09/2014  
Subject to change.



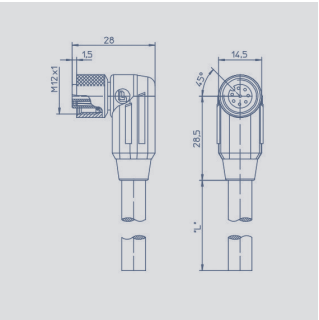
**Pin assignment**

- 1 = white
- 2 = brown
- 3 = green
- 4 = yellow
- 5 = grey
- 6 = pink
- 7 = blue
- 8 = red



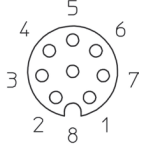
M12x1 Mating female connector, 8-pin, straight, with molded cable, shielded, IP67, open ended

|                   |   |        |
|-------------------|---|--------|
| Connector housing | Plastic PA  |        |
| Cable sheath      | PUR; Ø = max. 8 mm, -25 °C...+80 °C (moved) -50 °C...+80 °C (fixed) |        |
| Wires             | PP, 0.25 mm <sup>2</sup>  |        |
| Length            | Type  | P/N    |
| 2 m               | EEM 33-86   | 005629 |
| 5 m               | EEM 33-90   | 005635 |
| 10 m              | EEM 33-92   | 005637 |



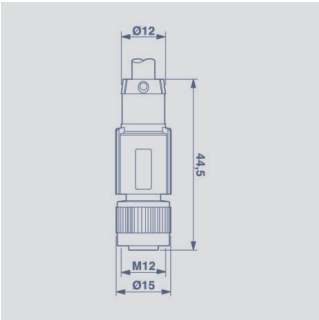
**Pin assignment**

- 1 = white
- 2 = brown
- 3 = green
- 4 = yellow
- 5 = grey
- 6 = pink
- 7 = blue
- 8 = red



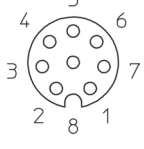
M12x1 Mating female connector, 8-pin, angled, with molded cable, shielded, IP67, open ended

|                   |   |        |
|-------------------|---|--------|
| Connector housing | Plastic PA  |        |
| Cable sheath      | PUR; Ø = max. 8 mm, -25 °C...+80 °C (moved) -50 °C...+80 °C (fixed) |        |
| Wires             | PP, 0.25 mm <sup>2</sup>  |        |
| Length            | Type  | P/N    |
| 2 m               | EEM 33-87   | 005630 |
| 5 m               | EEM 33-91   | 005636 |
| 10 m              | EEM 33-93   | 005638 |



**Pin assignment**

- 1 = n.c.
- 2 = orange/white
- 3 = orange
- 4 = n.c.
- 5 = green/white
- 6 = blue (0.38 mm<sup>2</sup>)
- 7 = brown (0.38 mm<sup>2</sup>)
- 8 = green



M12x1 Mating female connector, 8-pin, straight, with molded 6-pin cable, shielded, IP67, open ended, bus system-cable VARAN

|                   |   |        |
|-------------------|---|--------|
| Connector housing | Plastic PA  |        |
| Cable sheath      | PP; Ø = max. 7.8 mm, -25 °C...+90 °C (socket) -20 °C...+80 °C (cable) |        |
| Wires             | PP, 4x0.25 mm <sup>2</sup> (signal) 2x0.38 mm <sup>2</sup> (supply)   |        |
| Length            | Type  | P/N    |
| 2 m               | EEM 33-01   | 056131 |
| 5 m               | EEM 33-02   | 056132 |
| 10 m              | EEM 33-03   | 056133 |

- Protection class to DIN EN 60529
- Schutzart IP68 nach DIN EN 60529
- CAN-bus

- Very good Electromagnetic Compatibility (EMC) and shield systems
- Very good resistance to oils, coolants und lubricants
- UL - approved

Suited for applications in dragchains

Note: The protection class is valid only in locked position with its plugs. The application of these products in harsh environments must be checked in particular cases.