

Safety notes

Installation and startup

The rotary sensor is to be placed in service only by technical personnel under observance of all relevant safety regulations. Non-observance of the installation instructions will void any warranty or liability claims.

All personal protection measures in case of a transducer defect or failure must be taken before startup.

Electrical connections

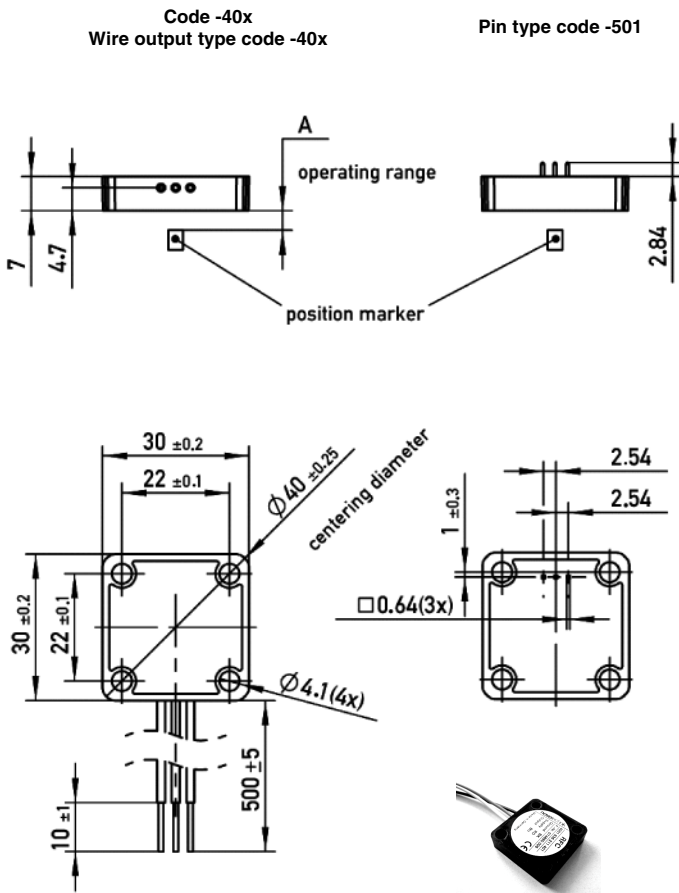
The specified supply voltage is to be applied only at the terminals provided. Non-observance of the pin configuration will result in destruction of the device and loss of warranty.

Further Information

For further information relating to installation and properties of this product and on available add-on items see also the corresponding data sheet. These can be downloaded under www.novotechnik.de (left-click on "downloads") and are available also from your local representative.

For worldwide contact details, please visit our website and left-click on "contact".

RFA 40xx dimensions



Basically; the Sensor is sensitive against ferromagnetic parts in close proximity and DC magnetic fields.

To reduce influences from external magnetic fields and ferromagnetic materials, the distance between the magnet and the Sensor should be kept small, refer to allowed operating ranges.

Only Magnets being approved by Novotechnik may be used !

Operating ranges Position markers:

Z-RFC-P03: A = 1,0...3,5 mm

Z-RFC-P04: A = 2,5...6 mm

Definition of center position :

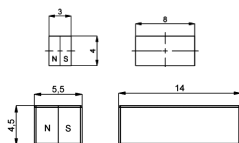
Cable version

View on active side !

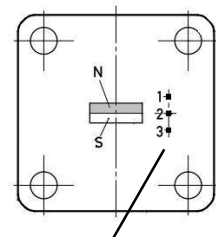
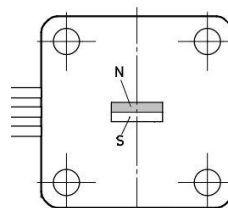
Pin version

Examples for position markers:

Z-RFC-P03



Z-RFC-P04



Solder Pins not visible on back side !

Further position markers pls. refer to separate data sheet or drawing

Electrical Connections

Signal	Supply	Ground	Output Signal
Model 600 single Code -40x	Red (2)	Black (3)	Blue (1)

Supply Voltage

RFA 40xx xxx 2xx xxx: 5 VDC (4.5...5.5 VDC)

Current draw

typ. 15 mA

Dimensions cable type output -40x

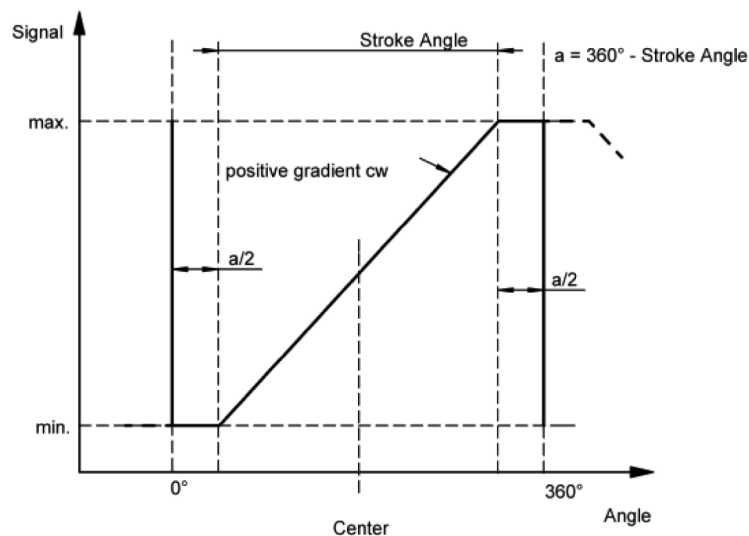
AWG 20 / 0.5mm²

Dimensions pin output -50x

square pins d=0.64mm / see sketch

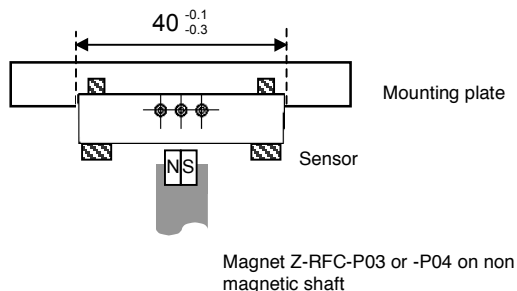
Output Signal

Series 600 Single output

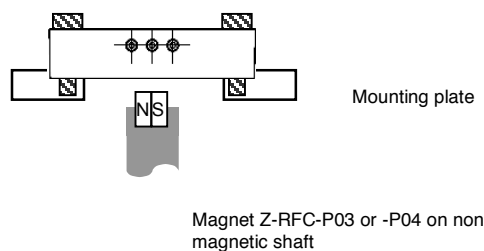


Mounting examples sensor - position marker (wire output type)

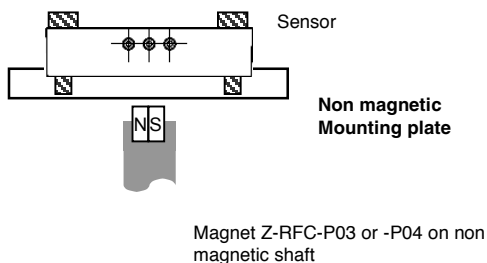
Example A: standard mounting with M4 Screws



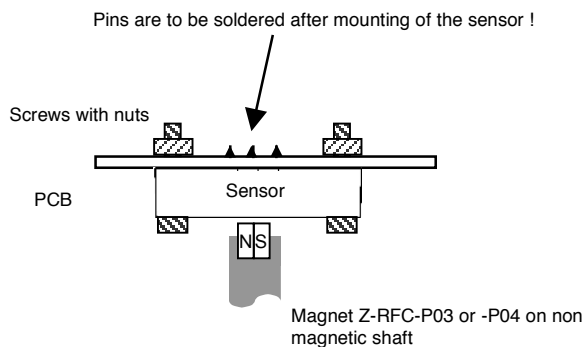
Example C: Position marker through plate



Example B: media isolated mounting



Mounting example sensor - position marker pin type



Installation Instructions

The operating range of the position marker must not be exceeded !
This is valid for example "B" also !

For best centering of sensor to position marker use centering diameter of the sensor housing or use 2 opposite 4mm holes for pin centering!

Using M4 screws, the max. tightening torque is **150 Ncm**.