

# Instructions for Use

## P2200 / P2500 / P4500 / P6500

**novotechnik**

Siedle Group

Novotechnik U.S., Inc.  
155 Northboro Road  
Southborough, MA 01772

### 1. Safety notes

#### 1.1 Installation and startup

The rotary sensor is to be placed in service only by technical personnel under observance of all relevant safety regulations.

Non-observance of the installation instructions will void any warranty or liability claims.

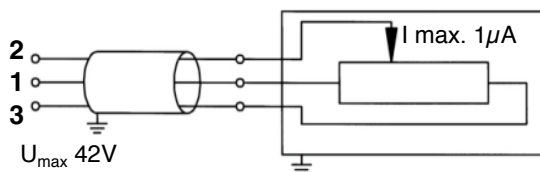
All personal protection measures in case of a transducer defect or failure must be taken before startup.

#### 1.2 Electrical connections

The specified supply voltage is to be applied only at the terminals provided.

Non-observance of the pin configuration will result in destruction of the device and loss of warranty.

#### Terminal plan



Protection class III according to DIN EN 61010 T1

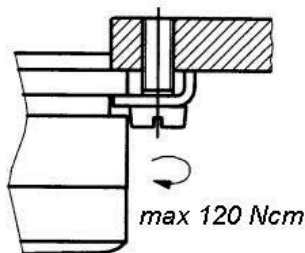
#### Please note:

**Circuit as voltage divider free of load!**

Using cables with longer lengths we advise the use of shielded cables.

### 3. Mounting instructions

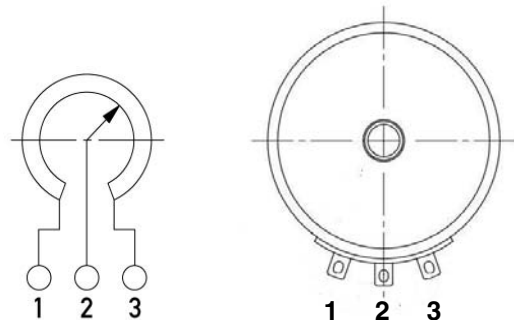
#### 3.1 Housing fixation



The delivery of standard potentiometers includes 3 clamps and 3 screws.

For certain variants of this sensor, alternative mounting features may be given.

#### Connector pin assignment with view on the shaft



The Gradient of the output signal cw or ccw is arbitrary by inverting of the connectors 1 and 3.

#### 3.2 Shaft fixation

If the driving shaft has significant play, shaft and sensor housing must be decoupled mechanically, for example using a coupling device.

Coupling devices available from Novotechnik:

P2200 / P2500: Z103 G3

P4500 / P6500: Z104 G6 oder/or Z105 G6

For further information about available coupling devices see data sheet "Accessories".