



Vert-X 37 - 5V / 10...90% Ub

Applications

- Agricultural machines
- Construction machines
- Forest machines
- Special purpose vehicles

Features general

- Very robust design, sealed stainless steel housing
- Contactless measuring method
- Long life
- High accuracy of measurement
- Applications under adverse ambient conditions possible (humidity, dampness, dust, vibrations etc.)
- Full resolution and accuracy at programmed electrical angle

Features MH-C

- Linearity of $\pm 0.3\%$
- Resolution of 12bit
- Lower price than MH-C2

Features MH-C2

- Linearity of $\pm 0.1\%$
- Resolution of 14bit
- Index point(s), sense of rotation and angle settable resp. programmable by customer (optional)

Errors and omissions excepted. Subject to change without notice. / State: 28.09.10

Contelec AG
 Portstrasse 38
 CH-2503 Biel/Bienne
 Phone +41 (0)32 3665600
 Telefax +41 (0)32 3665604
 sales@contelec.ch

CONTELEC
 A company of the Siedle-Group

Sensor principle		MH-C	MH-C2
Electrical data			
Measuring range	°	0 ... 360	0 ... 360
Indep. linearity	% of meas. range	± 0.3	± 0.1
Max. hysteresis	°	0.1	0.1
Resolution	bit	12	14
Max. repeatability	°	0.1	0.1
Sample rate fast mode	kHz	(5)	(2)
Sample rate slow mode	kHz	1.66	0.5
System propagation delay fast mode	μ s	(800)	(800)
System propagation delay slow mode	μ s	4600	2500
Max. temperature coefficient of the output signal	ppm/°K	50	50
MTTFd / MTBF	years	668 / 668	308 / 308
Power supply voltage	VDC	5 ($\pm 10\%$)	5 ($\pm 10\%$)
Current consumption without load (typ.) fast mode	mA	(14)	(15)
Current consumption without load (typ.) slow mode	mA	9	10
Min. ohmic load at output	kOhm	10	10
Max. capacitive load at output	nF	100	100
Reverse polarity protection of power supply		yes	no
Electrical connection (s = shielded)		Cable 3pole, s	Cable 3pole, s
Cross section of single wires	mm ²	0.56 (AWG20)	0.56 (AWG20)
Redundancy feasible		yes	yes
Electrical connection redundant (s = shielded)		Cable 6pole, s	Cable 6pole, s
Cross section of single wires redundant	mm ²	0.56 (AWG20)	0.56 (AWG20)
Mechanical data			
Mechanical range	°	360 (continuous)	360 (continuous)
Protection class		IP54 / IP68	IP54 / IP68
Max. starting torque at specified protection class	Ncm	0.5 / 6	0.5 / 6
Max. rotating speed	rpm	3000	3000
Min. life	movements	360 Mio.	360 Mio.
Max. permitted axial shaft load	N	250	250
Max. permitted radial shaft load	N	100	100
Operating & storage temperature	°C	-40 ... +125	-40 ... +85
IEC 68-2-6 Vibration (Amax = 0.75mm, f = 5 ... 2000 Hz)	g	20	20
IEC 68-2-27 Shock	g	50	50
Standards			
EN 55022 class B, Emission radiated (30... 230 MHz)	dB(μ V/m)	max. 30	max. 30
EN 55022 class B, Emission radiated (230...1000MHz)	dB(μ V/m)	max. 37	max. 37
EN 61000-4-2, ESD (contact discharge / air discharge)	kV	$\pm 4 / \pm 8$	$\pm 4 / \pm 8$
EN 61000-4-3, Immision HF radiated (80... 1000 MHz)	V/m	30	30
EN 61000-4-4, Burst (on all lines)	kV	± 1	± 1
EN 61000-4-5, Surge (lines to ground)	kV	± 1	± 1
EN 61000-4-6, Immision HF conducted (0.15...80MHz)	Vemk	10	10
EN 61000-4-8, Immision magnetic field (50Hz)	A/m	30	30
IEC 60393-1 Insulation resistance (500VDC, 1bar, 2s)	GOhm	20	20
IEC 60393-1 Dielectric strength (VAC, 50Hz, 1min, 1bar)	kV	1	1



Vert-X 37 - 5V / 10...90% Ub Ordering code

*** Switch outputs**
Please define number (max. 127), position and width of the pulses.

Output characteristics	
Positive gradient CW	Standard 1
Positive gradient CCW	Optional 2
Redundant, positive gradient CW	Optional 3
Redundant, positive gradient CCW	Optional 4
Redundant, crossed signal curves	Optional 5
Positive gradient CW with 1 switch output*	Optional A
Positive gradient CCW with 1 switch output*	Optional B
Positive gradient CW with 2 switch outputs*	Optional C
Positive gradient CCW with 2 switch outputs*	Optional D
Sense of rotation settable	Optional E
Zero point & sense of rotation settable	Optional F
Middle point & sense of rotation settable	Optional G
Start + end point & sense of rotation settable	Optional H
Programmable with Vert-X EasyAdapt	Optional P

Output signal	
10% ... 90% Ub	Standard 2
x% ... y% Ub (within 5 ... 95%)	Optional 3

Power supply voltage	
5VDC	Standard 2

Electrical connection	
4	Standard Round cable 3pole
6	Optional Round cable 6pole
9	Optional Special cable

Length of cable	
02	Standard 1.0m
06	Optional 3.0m
10	Optional 5.0m
99	Optional Special length

Vert-X 3 7 2 2 7 3 6 2 2 1 4 0 2

Electrical angle	
36	Standard Electrical angle 360°
xx	Optional 03 to 35; Declaration in 10° steps
99	Optional Special angle

Sensor principle	
7	MH-C
8	MH-C2

Mechanical version	
3722	Standard Servo mount size 13 ; 10 mm shaft slotted with D-shape ; IP54
3762	Standard Servo mount size 13 ; 10 mm shaft slotted with D-shape ; IP68
3799	Optional Special housing; special shaft

	MH-C	MH-C2
Custom shaft design	X	X
Custom modification of the housing	X	X
Custom cable	X	X
Interface x% ... y% Ub (within 5% ... 95% Ub)	X	X
Sample rate in fast mode	X	X
Switch functions TTL (max. 2)	X	X
Special characteristic curve	-	X
Special electrical angle within 30° to 360° (ex factory)	X	X
Electrical angle programmable (Software)	-	X
Start & end point settable (Additional wires)	-	X
Sense of rotation CW/CCW settable / programmable (Additional wires or Software)	-	X
Index point settable / programmable (Additional wires or Software)	-	X

Options (on request)

Errors and omissions excepted. Subject to change without notice. / State: 28.09.10

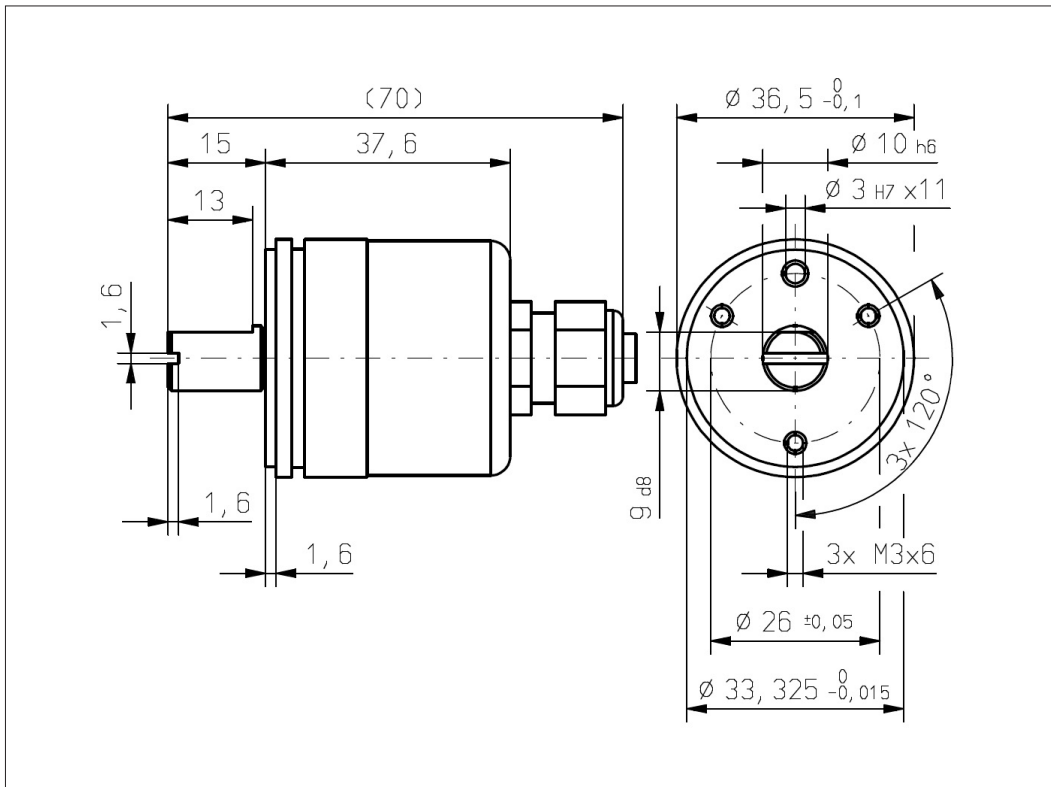
Contelec AG
Portstrasse 38
CH-2503 Biel/Bienne
Phone +41 (0)32 3665600
Telefax +41 (0)32 3665604
sales@contelec.ch



Vert-X 37

Accessoires (incl.)

- 3x Fixation clamp
- 3x Slotted cylinder head screw M3x8



Errors and omissions excepted. Subject to change without notice. / State: 28.09.10

Contelec AG
 Portstrasse 38
 CH-2503 Biel/Bienne
 Phone +41 (0)32 3665600
 Telefax +41 (0)32 3665604
 sales@contelec.ch

CONTELEC
 A company of the Siedle-Group