



Vert-X 13E - 5V / PWM

Applications

- Servodrives
- Insetting machines
- Sewer inspection robots
- Medical applications

Features

- High protection class IP68
- Very compact dimensions
- Non-contacting measuring method
- Very long life
- High accuracy of measurement
- Use in cramped installation conditions
- Full resolution and accuracy at programmed electrical angle
- Full redundancy possible

Sensor principle		MH-C	MH-C2
Electrical data			
Measuring range	°	0 ... 360	-
Indep. linearity (without misalignment)	% of meas. range	±0.3	-
Indep. linearity (with allowed misalignment @ 360°)	% of meas. range	±0.5	-
Max. hysteresis	°	0.1	-
Resolution	bit	12	-
Max. repeatability	°	0.1	-
System propagation delay fast mode	kHz	(5)	-
System propagation delay slow mode	kHz	1.66	-
System propagation delay fast mode	µs	(800)	-
System propagation delay slow mode	µs	4600	-
Max. temperature coefficient of the output signal	ppm/°K	25	-
MTTFd / MTBF	years	668/668	-
Power supply voltage	VDC	5 (±10%)	-
Current consumption without load (typ.) fast mode	mA	(14)	-
Current consumption without load (typ.) slow mode	mA	9	-
Min. ohmic load at output	kOhm	10	-
Max. capacitive load at output	nF	1	-
PWM frequency	Hz	855 (±20%)	-
Reverse polarity protection of power supply		yes	-
Electrical connection axial		Wires (3x)	-
Cross section of single wires	mm ²	0.25 (AWG24)	-
Electrical connection radial		Cable 3pole	-
Cross section of single wires	mm ²	0.25 (AWG24)	-
Redundancy feasible		yes	-
Electrical connection redundant axial		Ribbon cable 6pole	-
Cross section of single wires redundant	mm ²	0.09 (AWG28)	-
Electrical connection redundant radial		Cable 6pole	-
Cross section of single wires redundant	mm ²	0.25 (AWG24)	-
Mechanical data			
Mechanical range	°	360 (continuous)	-
Protection class		IP68	-
Min. life	movements	no limitation	-
Operating & storage temperature (with wires)	°C	-40 ... +125	-
Operating & storage temperature (with ribbon cable)	°C	-40 ... +105	-
Operating & storage temperature (with round cable)	°C	-40 ... +85	-
IEC 68-2-6 Vibration (Amax = 0.75mm, f = 5 ... 2000 Hz)	g	50	-
IEC 68-2-27 Shock	g	200	-
Standards			
EN 55022 classe B, Emission radiated (30... 230 MHz)	dB(µV/m)	max. 30	-
EN 55022 classe B, Emission radiated (230...1000MHz)	dB(µV/m)	max. 37	-
EN 61000-4-2, ESD (contact discharge / air discharge)	kV	±4 / ±8	-
EN 61000-4-3, Immission HF radiated (80... 1000 MHz)	V/m	100	-
EN 61000-4-4, Burst (on all lines)	kV	±1	-
EN 61000-4-5, Surge (lines to ground)	kV	±1	-
EN 61000-4-6, Immission HF conducted (0.15...80MHz)	Vemk	10	-
EN 61000-4-8, Immission magnetic field (50Hz)	A/m	300	-
IEC 60393-1 Insulation resistance (500VDC, 1bar, 2s)	GOhm	20	-
IEC 60393-1 Dielectric strength (VAC, 50Hz, 1min, 1bar)	kV	1	-

Errors and omissions excepted. Subject to change without notice. State: 15.01.14

Contelec AG
 Portstrasse 38
 CH-2503 Biel/Bienne
 Phone +41 (0)32 3665600
 Telefax +41 (0)32 3665604
 sales@contelec.ch

CONTELEC
 A company of the Siedle-Group



Vert-X 13E - 5V / PWM Ordering code

		Output characteristics				Electrical connection / axial							
	Positive gradient CW	Standard	1	1	Optional	Ribbon cable 6pole							
	Positive gradient CCW	Optional	2	2	Standard	Wires 3pole							
	Redundant, positive gradient CW	Optional	3	9	Optional	Special cable ; special wires							
	Redundant, positive gradient CCW	Optional	4										
	Redundant, crossed signal curves	Optional	5										
		Output signal				Electrical connection / radial							
	PWM	Standard	5	4	Standard	Round cable 3pole							
		Power supply voltage				Length of wires / ribbon cable							
	5VDC	Standard	2	6	01	Optional	10cm						
					02	Standard	20cm						
					03	Optional	30cm						
					04	Optional	40cm						
					05	Optional	50cm						
					99	Optional	Special length						
						Length of cable							
					02	Standard	1.0m						
					06	Optional	3.0m						
					10	Optional	5.0m						
					99	Optional	Special length						
Vert-X	1	3	E	3	7	3	6	2	5	1	2	0	2
				Electrical angle									
					36	Standard	Electrical angle 360°						
					xx	Optional	03 to 35; Declaration in 10° steps						
					99	Optional	Special angle						
				Sensor principle									
					7	MH-C							
		Mechanical version											
	13E3	Standard	Servo mount ; magnetic actuator type 3										
	13E9	Optional	Special housing ; special magnetic actuator										

	MH-C	MH-C2
Custom magnetic actuator	X	-
Custom modification of the housing	X	-
Custom cable / wires	X	-
Sample rate in fast mode	X	-
Switch functions TTL (max. 2)	-	-
Special characteristic curve	-	-
Special electrical angle within 30° to 360° (ex factory)	X	-
Electrical angle programmable (Software)	-	-
Start & end point settable (Additional wires)	-	-
Sense of rotation CW/CCW settable / programmable (Additional wires or Software)	-	-
Index point settable / programmable (Additional wires or Software)	-	-

Options (on request)

Errors and omissions excepted. Subject to change without notice. State: 15.01.14

Contelec AG
Portstrasse 38
CH-2503 Biel/Bienne
Phone +41 (0)32 3665600
Telefax +41 (0)32 3665604
sales@contelec.ch

CONTELEC
A company of the Siedle-Group



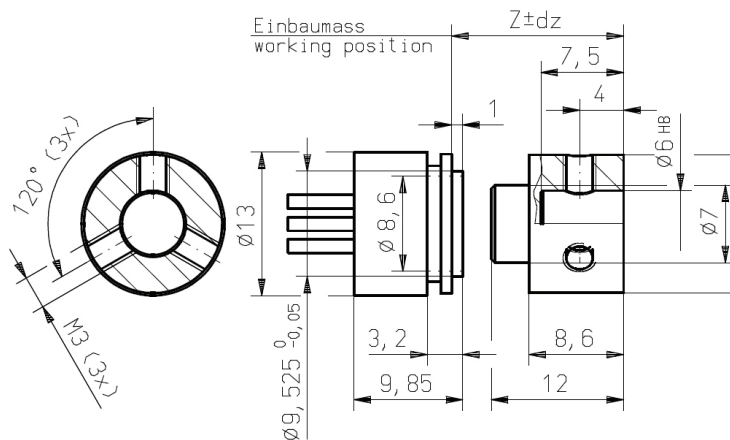
Vert-X 13E3 xxx xxx 1xx
Vert-X 13E3 xxx xxx 2xx

Accessoires (incl.)

- 1x Fixation clip
- 2x Slotted cylinder head screw M3x8

Working position (Z) and max. permitted misalignment of the magnetic actuator

see mounting information



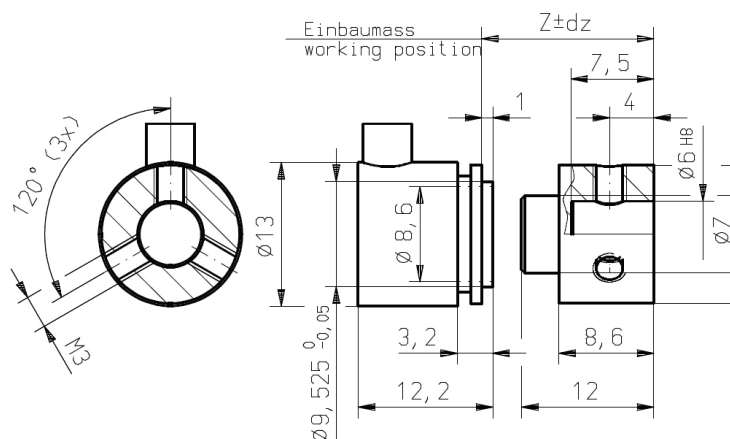
Vert-X 13E3 xxx xxx 4xx
Vert-X 13E3 xxx xxx 6xx

Accessoires (incl.)

- 1x Fixation clip
- 2x Slotted cylinder head screw M3x8

Working position (Z) and max. permitted misalignment of the magnetic actuator

see mounting information



Errors and omissions excepted. Subject to change without notice. State: 15.01.14

Contelec AG
 Portstrasse 38
 CH-2503 Biel/Bienne
 Phone +41 (0)32 3665600
 Telefax +41 (0)32 3665604
 sales@contelec.ch



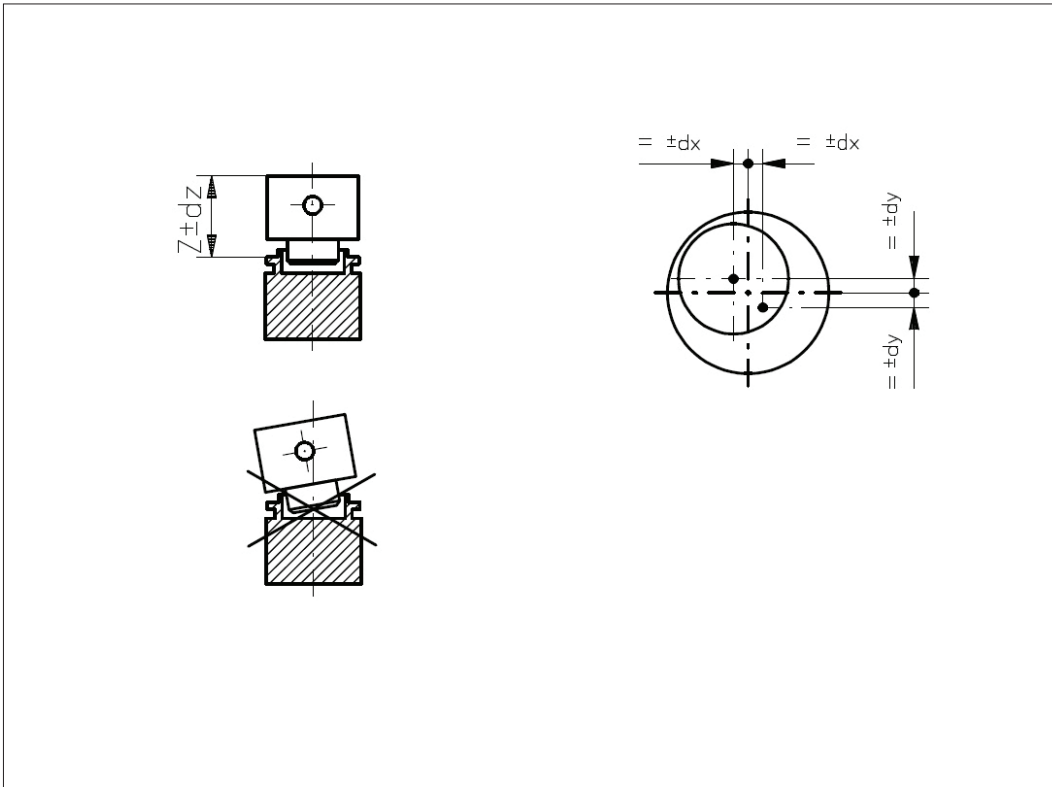
Vert-X 13E
Mounting information

Working position (Z)

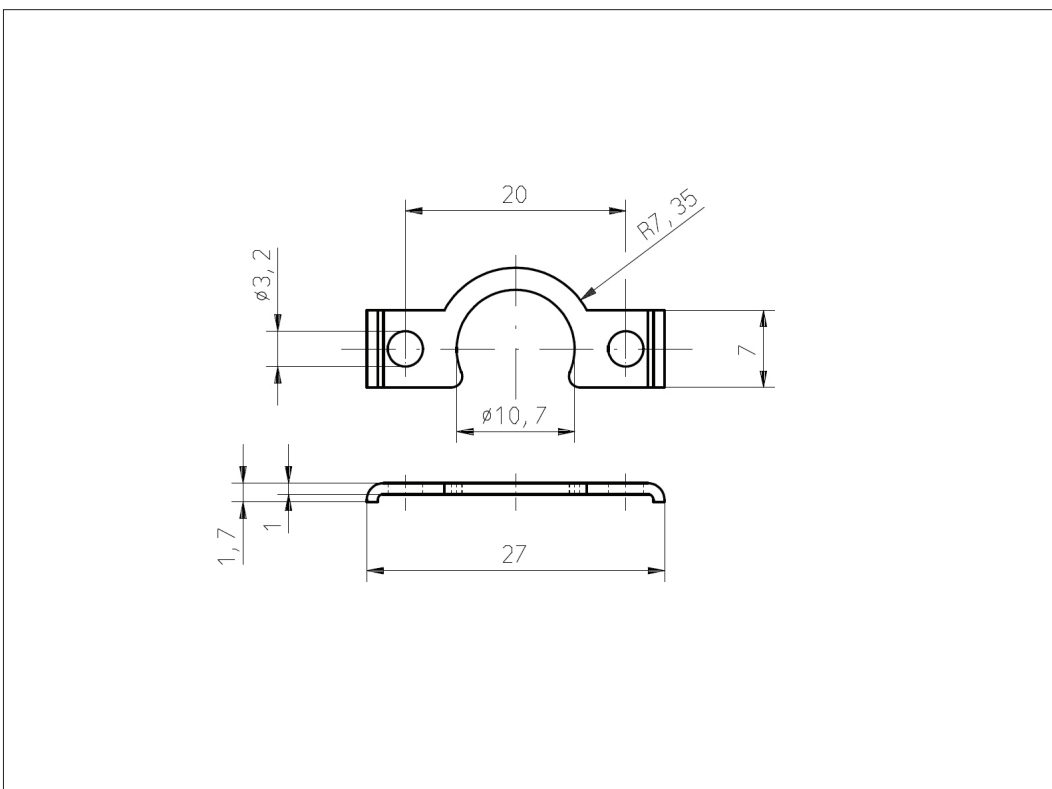
MH-C	11.05mm
MH-C redundant	10.55mm

**Max. permitted misalign-
ment of the magnetic
actuator**

dx	±0.25mm
dy	±0.25mm
dz	±0.50mm



Vert-X 13E
Accessoires
Fixation clip



Errors and omissions excepted. Subject to change without notice. State: 15.01.14

Contelec AG
Portstrasse 38
CH-2503 Biel/Bienne
Phone +41 (0)32 3665600
Telefax +41 (0)32 3665604
sales@contelec.ch