

Vert-X 05E 24V / Incremental

Application

- E-Motor Feedback-System

Features

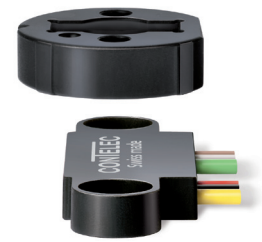
- High protection class IP68
- Flat design (5mm)
- Measuring system only 6mm from the edge. This enables the use with rotation centers close to a wall
- Select CW or CCW by Flip-assembly
- Non-contacting measuring method
- Very long life
- High accuracy of measurement
- Applications under adverse ambient conditions possible (humidity, dampness, dust, vibrations etc.)
- Several possible resolutions

Sensor principle		MH-X2
Electrical Data		
Measuring range	°	0 ... 360
Indep. linearity (without misalignment)	%	±0.5
Indep. linearity (with allowed misalignment @ 360°)	%	±1
Max. hysteresis	°	0.5
Resolution	ppr/channel	256 (1-128 ; 512 ; 1024)
Max. repeatability	°	0.2
Max. temperature coefficient of the output signal	ppm/°K	5
Power supply voltage	VDC	8 ... 35
Reverse polarity protection of power supply		yes
Redundancy feasible		no
Output driver Open collector		
MTTFd / MTBF	years	391 / 391
Current consumption without load (typ.)	mA	20
Max. output current	mA	30
Max. output voltage	VDC	35
Electrical connection (A;B)		Wires (4x)
Cross section of single wires (A;B)	mm ²	0.5 (AWG20)
Electrical connection (A;B;Z)		Wires (5x)
Cross section of single wires (A;B;Z)	mm ²	0.5 (AWG20)
Mechanical Data		
Mechanical range	°	360 (continuous)
Protection class		IP68
Min. life	movements	no limitation
Operating & storage temperature	°C	-40 ... +85
IEC 68-2-6 Vibration (Amax = 0.75mm, f = 5 ... 2000 Hz)	g	50
IEC 68-2-27 Shock	g	200
Standards		
EN 55022 class B, Emission radiated (30... 230 MHz)	dB(µV/m)	max. 30
EN 55022 class B, Emission radiated (230...1000MHz)	dB(µV/m)	max. 37
EN 61000-4-2, ESD (contact discharge / air discharge)	kV	±4 / ±8
EN 61000-4-3, Immission HF radiated (80... 1000 MHz)	V/m	30
EN 61000-4-4, Burst (on all lines)	kV	±1
EN 61000-4-5, Surge (lines to ground)	kV	±1
EN 61000-4-6, Immission HF conducted (0.15...80MHz)	Vemk	10
EN 61000-4-8, Immission magnetic field (50Hz)	A/m	300
IEC 60393-1 Insulation resistance (500VDC, 1bar, 2s)	GOhm	20
IEC 60393-1 Dielectric strength (VAC, 50Hz, 1min, 1bar)	kV	1

Errors and omissions excepted. Subject to change without notice. State: 17.10.13

Contelec AG
 Portstrasse 38
 CH-2503 Biel/Bienne
 Phone +41 (0)32 3665600
 Telefax +41 (0)32 3665604
 sales@contelec.ch

CONTELEC
 A company of the Siedle-Group



Vert-X 05E6 xxx xxx 3xx
Vert-X 05E6 xxx xxx 7xx

Accessoires (incl.)

- None

Working position (Z1)

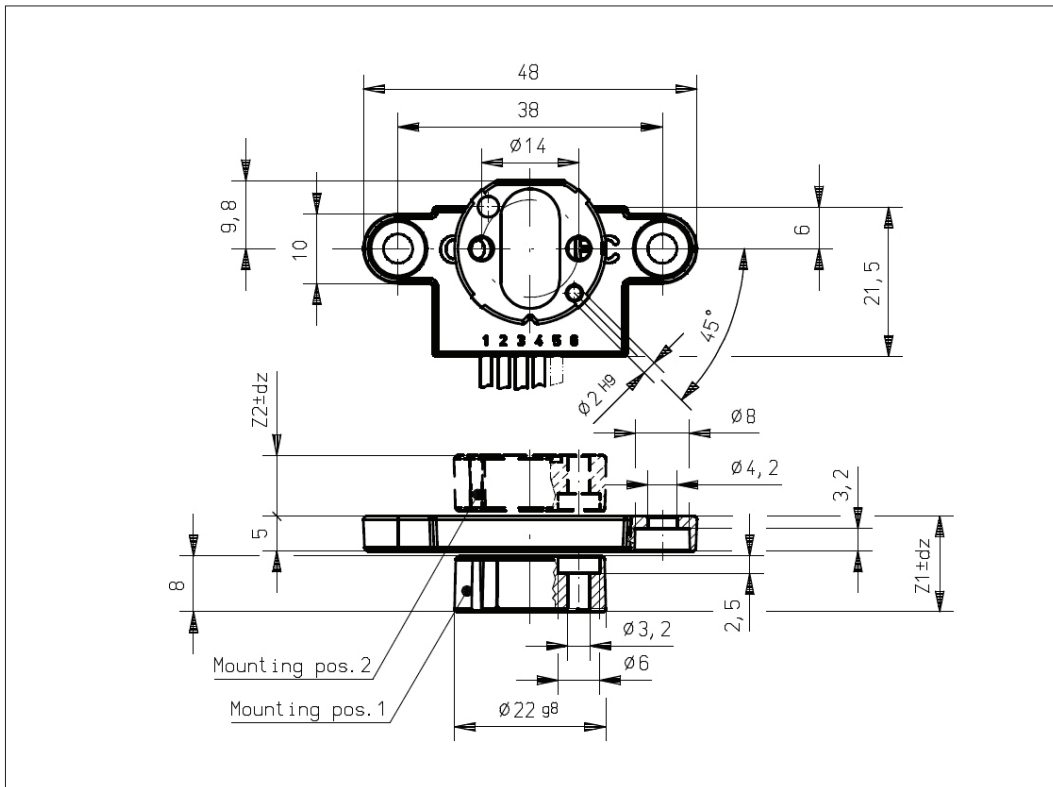
MH-X2 13.60mm

Working position (Z2)

MH-X2 8.60mm

Max. permitted misalignment of the magnetic actuator

see mounting information



Vert-X 05E6 xxx xxx P06

Accessoires (incl.)

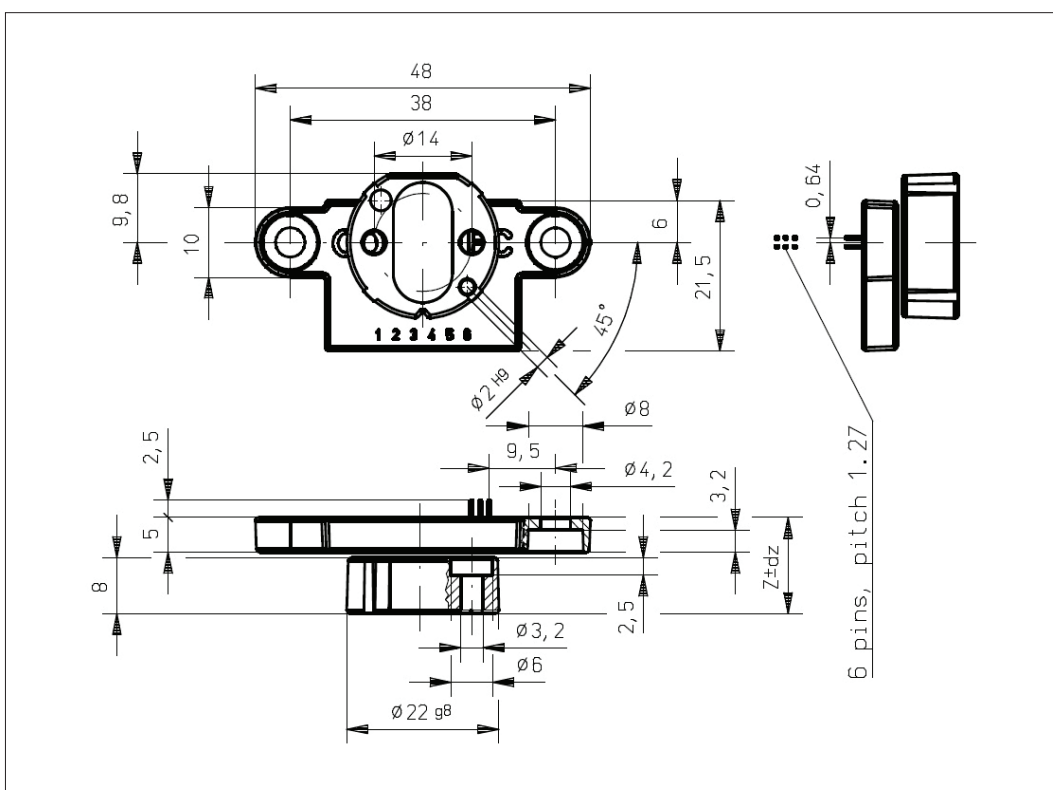
- None

Working position (Z)

MH-X2 13.60mm

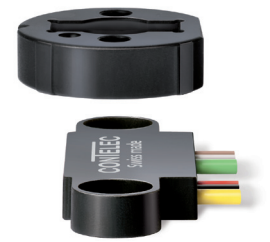
Max. permitted misalignment of the magnetic actuator

see mounting information



Errors and omissions excepted. Subject to change without notice. State: 17.10.13

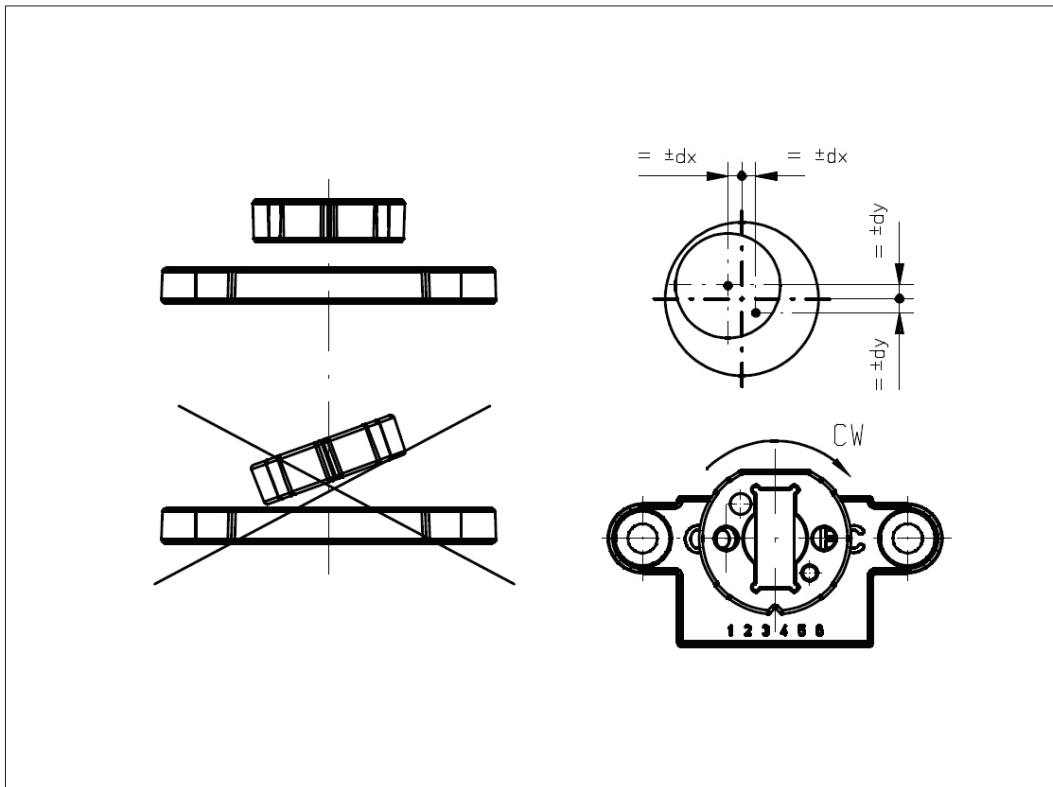
Contelec AG
 Portstrasse 38
 CH-2503 Biel/Bienne
 Phone +41 (0)32 3665600
 Telefax +41 (0)32 3665604
 sales@contelec.ch



Vert-X 05E6
Mounting information

Max. permitted misalignment of the magnetic actuator

dx	±0.75mm
dy	±0.75mm
dz	±0.50mm



Errors and omissions excepted. Subject to change without notice. State: 17.10.13

Contelec AG
 Portstrasse 38
 CH-2503 Biel/Bienne
 Phone +41 (0)32 3665600
 Telefax +41 (0)32 3665604
 sales@contelec.ch