

**NOVOTURN
Multiturn Sensor
non-contacting**

Series RSM2800
analog



Special features

- True Power On System: counts turns even when not powered. Patented non-volatile technology does not require gears or batteries
- non-contacting, magnetic
- long life
- 2 to 16 turn range (720 to 5760°)
- continuous analog output signal across the selected angle range
- resolution 16 bit
- independent linearity up to $\pm 0.03\%$
- protection class IP54, IP65 or IP67
- 1 or 2 outputs
- available with push-on coupling or marked shaft
- easy mounting
- see separate data sheet for digital interfaces

The RSM 2800 combines multiple-turn angle measurement, compact size, and attractive price.

The patented NOVOTURN technology measures angles across multiple turns, providing high resolution and accuracy. This technology detects the turn count even while not powered. When powered up, the RSM2800 immediately reports the actual angular position, even if the input shaft was rotated while power was off.

The sensor utilizes contactless magnetic technology, providing a very long operational life time. It has excellent capabilities against mechanical shock and vibration.

The customer-selected measurement range is factory-programmed from a range of 2 turns to 16 turns.

The outputs (1 or 2) are linear across the measurement range.

The housing is made of a special high grade temperature resistant plastic material. The sensor is mounted with slots in the housing, which also provides for mechanical adjustment.

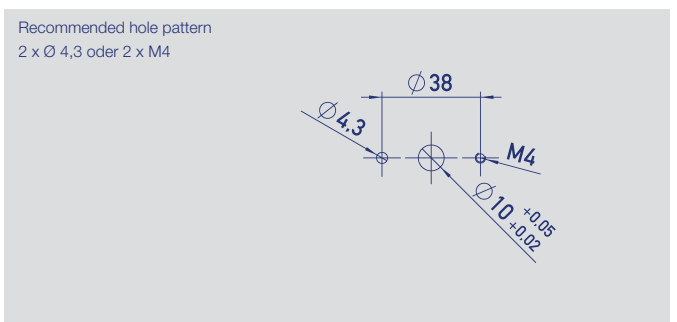
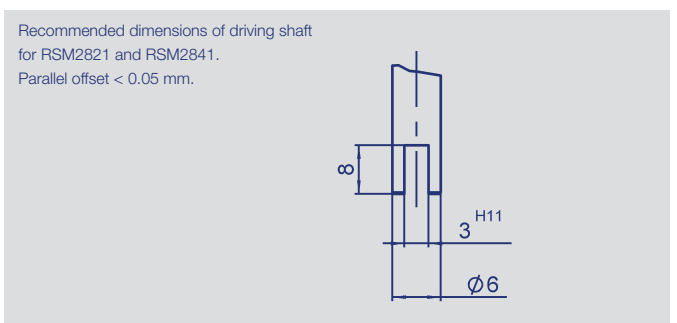
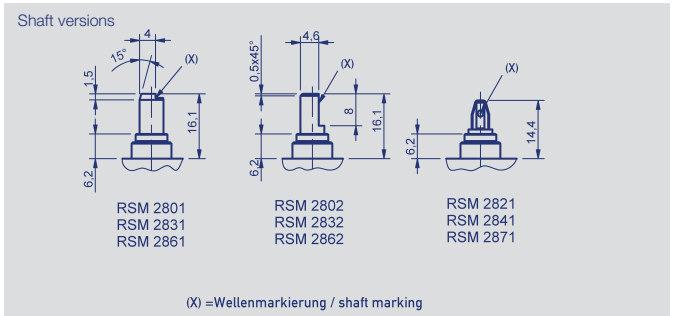
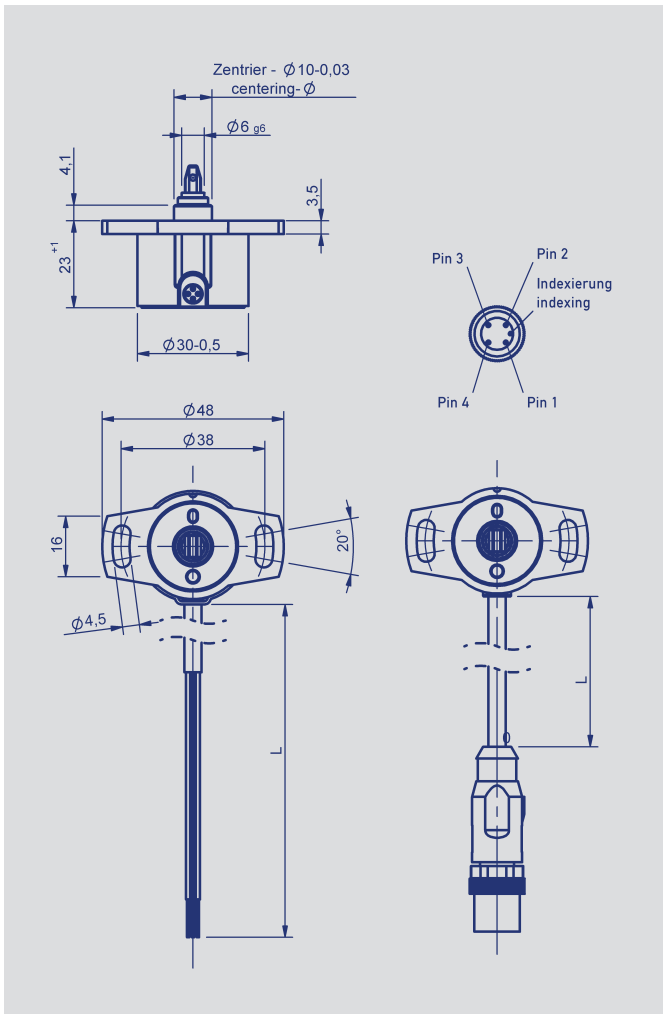
Three shaft types are offered, including D-shaped and Novotechnik's easy-to-mount „push-on“ coupling.

The sensor is insensitive to dirt and moisture (IP-rating dependent). A shielded cable of 0.5 m to 10 meters length is available.

The RSM2800 provides a cost-effective alternative to conventional multi-turn encoders.

Applications for the RSM2800 exist in printing machines, drive and steering systems, wire length sensors, gate and door drives, fork-lifts, robotics, and many other areas.

Description	
Housing	high grade, temperature resistant plastic
Shaft	stainless steel
Bearings	bronze sleeve bearing
Electrical connections	shielded cable, 4 x AWG 26 M12 connector with short cable



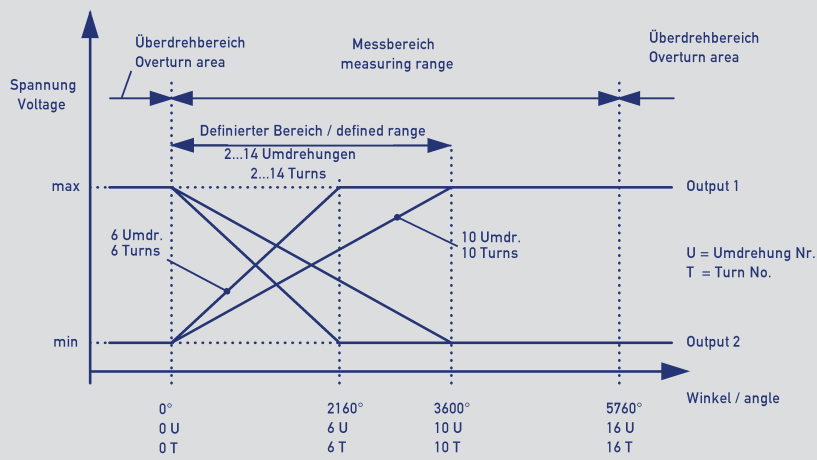
Connection assignment

Signal	M12 connector	Cable
Ground	3	brown
Supply voltage	1	green
Signal output 1	2	white
Signal output 2 / not assigned	4	yellow

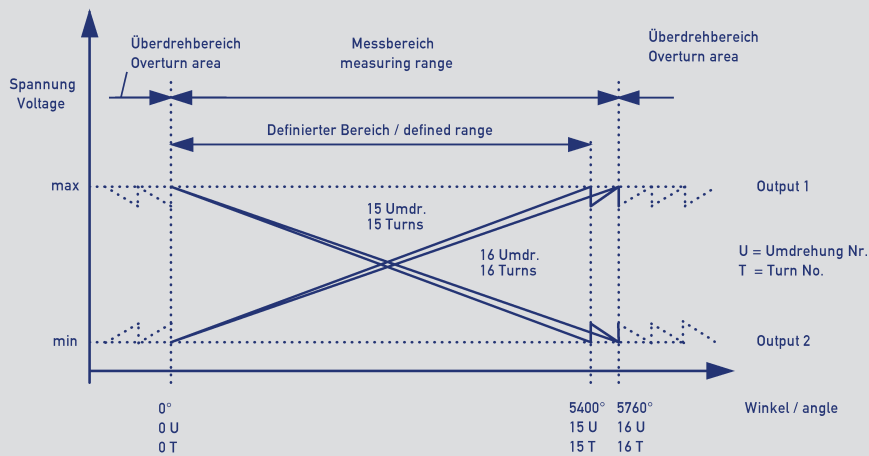
Cable shielding connect to ground.

When the shaft marking points toward the cable outlet, the sensor is in a full turn position.

Output signals measurement range 2...14 turns



Output signals measurement range 15 ... 16 turns



Technical Data	RSM - 28 _ _ _ _ - 2 _ _ _ _ ratiometric	RSM - 28 _ _ _ _ - 11 _ _ _ _ Analog voltage	RSM - 28 _ _ _ _ - 12 _ _ _ _ Analog current													
Mechanical Data																
Dimensions	see dimension drawing															
Mounting	2 fillister head screws M4 and washer															
Starting torque of mounting screws with washer at housing flange	180			Ncm												
Mechanical travel	360 continuous			°												
Permitted shaft load (axial and radial) static or dynamic force	20			N												
Torque	0.15 (IP54), 0.5 (IP65), 1.0 (IP67)			Ncm												
Permitted operational speed	800			RPM												
Weight	~ 50			g												
Electrical Data																
Supply voltage U_b	5 ±0,5	24 ±6	24 ±6	VDC												
Number of channels	1 / 2	1 / 2	1													
Output signal	ratiometric load ≥ 10 kΩ	0,1...10 V load ≥ 10 kΩ	4...20 mA, load ≤ 500 Ω													
Load supply current	30 typical			mA												
Reverse voltage	yes															
Short circuit protection	yes (signal to U_b and ground)															
Measuring range	0 ... 720°, 0...5760 (360° steps)			°												
Resolution	16			bit												
Repeatability	±0.1			%												
Hysteresis	< 0.1			%												
Independent linearity	0.25...0.031 (s. table below)			%												
Start-up time	typ. 10			ms												
Response time	max. 2			ms												
Temperature error of output signal	±0.15	±0.31	±0.625	% FS												
Insulation resistance (500 VDC)	≥ 10			MΩ												
Wire diameter	~ 0.14 mm ² (AWG 26)			mm ²												
Environmental Data																
Temperature range	-40...+85			°C												
Insensibility against magnetic DC fields	< 15			mT												
Vibration (IEC 68000-2-6)	5...2000 Hz $A_{max} = 0.75$ mm $a_{max} = 20$ g															
Shock (IEC 68000-2-27)	50 (6 ms)			g												
Life	> 50 x 10 ⁶ (mechanical)			movements												
MTTF (DIN EN 13849-1 parts count method, w/o load)	175 single	184 single	186	years												
Functional Safety	When using our products in safety-related systems, please contact us															
Protection class (to DIN EN 60529)	IP54 / IP65 / IP67															
EMC compatibility	EN 61000-4-2 electrostatic discharges (ESD) 4kV, 8kV EN 61000-4-3 electromagnetic fields 10V/m EN 61000-4-4 electrical fast transient / burst 1kV EN 61000-4-6 conducted disturbances, induced by RF fields 10V/m eff. EN 61000-4-8 power frequency magnetic fields 3A/m EN 55011/EN 55022/A1 radiated disturbances class B															
Linearities																
Measuring range	2	3	4	5	6	7	8	9	10	11	12	13	14	15	16	turns
Linearity typ.	0.250	0.167	0.125	0.100	0.083	0.071	0.063	0.056	0.050	0.045	0.042	0.039	0.036	0.033	0.031	%
Linearity max.	0.350	0.267	0.225	0.200	0.183	0.171	0.163	0.156	0.150	0.145	0.142	0.138	0.136	0.133	0.131	%

Ordering specifications

Preferred types printed in bold:

- reduced delivery time for up to 25 pieces
- best low-volume pricing

Supply Voltage Ub

- 1: Ub = 24 V (18.0 ... 30 V)
2: Ub = 5 V (4.5 ... 5.5 V)

Output signal Ub = 24 V (1 _ _)

- 1: 0 ... 10 V
2: 4...20 mA

Output signal Ub = 5 V (2 _ _)

- 1: 0.25 ... 4.75 V ratiometric to Ub
2: 0.5 ... 4.5 V ratiometric to Ub

Output configuration

- 1: rising curve CW
2: rising curve CCW
3: 2 crossed outputs, Ch1 rising CW, Ch2 rising CCW
(only Ub = 5 V (2 _ _) and output 0...10 V (11_)
other characteristics on request

Electrical connection

- 201: Round cable 4-pol., shielded, L = 0.5 m
202: Round cable 4-pol., shielded, L = 1 m
206: Round cable 4-pol., shielded, L = 3 m
210: Round cable 4-pol., shielded, L = 5 m
220: Round cable 4-pol., shielded, L = 10 m
501: M12 x 1 connector shielded, straight; L = 150 mm
other cable lengths and assembled connectors on request

R S M - 2 8 3 2 - 0 1 0 - 1 1 1 - 2 0 2

Series

Mechanical version

- 2801: 6 mm shaft with marking, IP54*
2831: 6 mm shaft with marking, IP65*
2861: 6 mm shaft with marking, IP67*
2802: 6 mm shaft with flattening, IP54
2832: 6 mm shaft with flattening, IP65
2862: 6 mm shaft with flattening, IP67
2821: push-on coupling, IP54
2841: push-on-coupling, IP65
2871: push-on-coupling, IP67
other shaft versions on request

Number of turns output characteristics

- from 002 = 2 turns to 016 = 16 turns, in increments of 1 turn
003, 006, 010, 016
other angles on request

X turns correspond to an electrical angle of X • 360°
* not recommended for new designs

Recommended accessories

MAP 300/400/4000 process-control indicators with display.