

## FTI Instructions for Use

### 1 General description

This device is an inductive transducer for direct, precise and absolute measurement of displacements or lengths in control, regulation and measuring applications.

### 2 Safety instructions

#### 2.1 Installation and startup

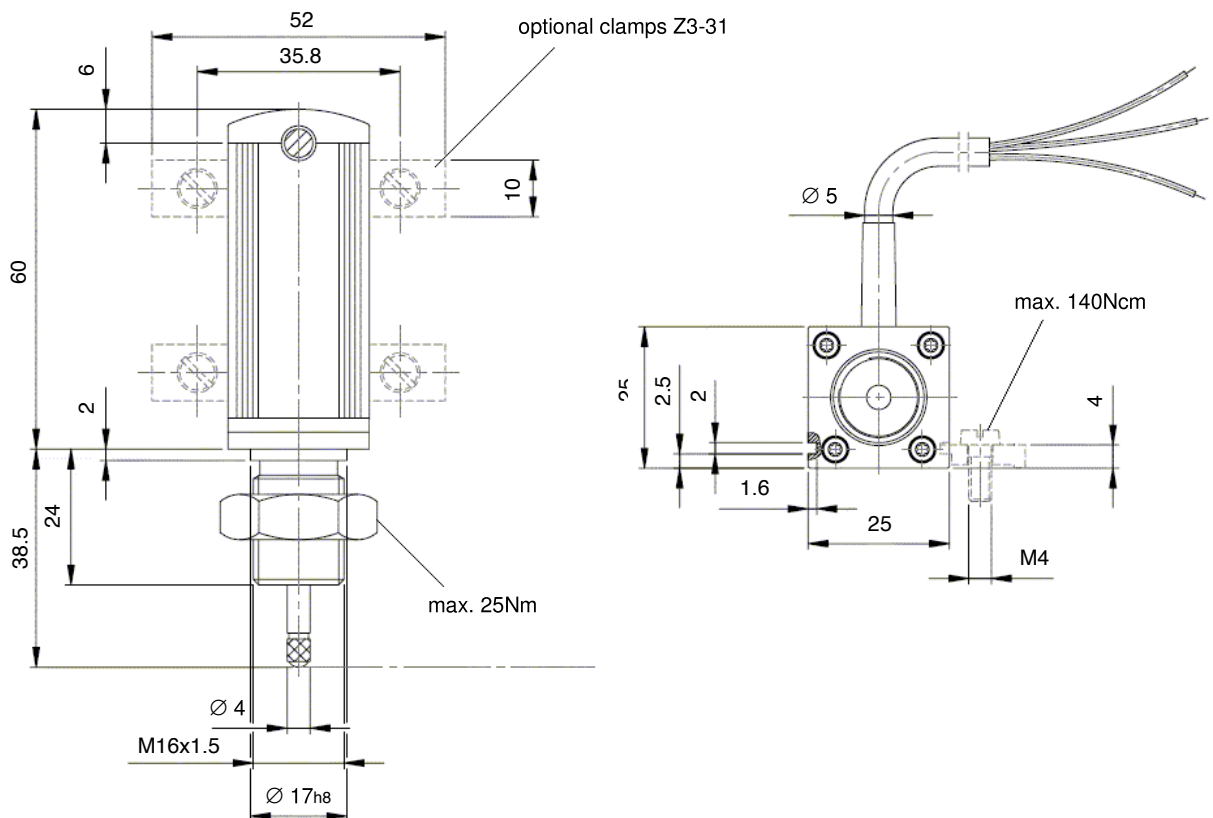
The transducer must be installed by qualified personnel in consideration of all relevant safety regulations. Non-observance of the installation instructions will void any warranty or liability claims. All personal protection measures in case of a transducer defect or failure must be taken before startup.

#### 2.3 Electrical connections

The supply voltage is to be applied only at the terminals provided. Cable shielding is to be connected to ground level. Improper connections and overvoltage can damage the components. Please always check the connections carefully before turning on the system.

### 3 Installation

#### 3.1 Flange



## FTI Instructions for Use

### 3.2 Output Signals

Cable	Signal
white	+ U <sub>B</sub> 18...30 VDC
brown	0(4)...20mA
green	GND

### 4 Accessories (order separately)

- 4 clamps Z3-31 incl. 4 screws M4 (P/N 059010)
- Gauge roller Z50 (P/N 005678)

### 5 order designation

