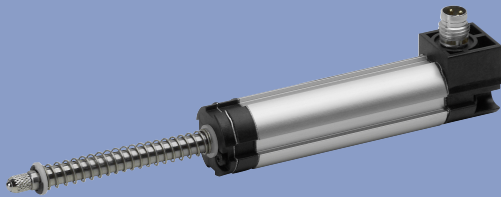


**Position Transducers
with restoring spring
potentiometric
up to 200 mm, IP 67**

Series TEX



Special features

- compact dimensions
- protection class up to IP67
- Position transducer with restoring spring
- very long life (depending on application) up to 50 million movements
- resolution better than 0.01 mm
- outstanding linearity up to $\pm 0.05\%$
- variable mechanical customer interfaces
- usable under harsh environmental conditions (humidity, oil, dust)
- DIN standard gauging end
- cable or plug connection optional

Highest protection class and very compact dimensions characterize this inexpensive transducer.

Mounting clamps, central threads or flange plates allow an optimum adaption to the particular environmental conditions.

The transducers with outside restoring spring enables the direct measurement without form-fit positioning.

The electrical connection is made by radial plug connector or radial or axial cable.

Transducers without restoring spring and mountable with pivot heads see separate data sheets.

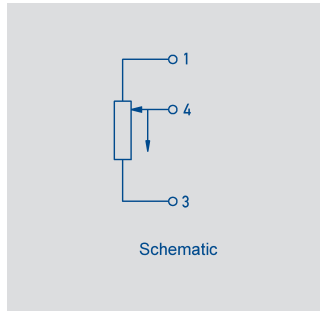
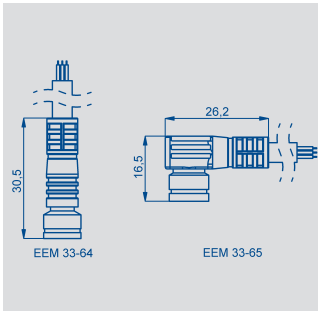
Description	
Housing	aluminium, anodized
Fixings	see drawing
Actuating rod	stainless steel, rotatable
Bearings	sleeve bearing
Resistance element	conductive plastic
Wiper assembly	precious metal multi-finger wiper
Electrical connections	3-pin round connector M8x1 3-pin cable, shielded 2 m long

Type designations	TEX 0010	TEX 0025	TEX 0050	TEX 0075	TEX 0100	TEX 0125*	TEX 0150	TEX 0175*	TEX 0200	
Electrical Data										
Defined electrical range	10	25	50	75	100	125	150	175	200	mm
Electrical range	12	27	52	77	102	130	155	180	205	mm
Nominal resistance	1	1	2	3	4	5	6	7	8	kΩ
Resistance tolerance	20									±%
Independent linearity	0.25	0.2	0.1	0.1	0.1	0.05	0.05	0.05	0.05	±%
Repeatability	0,01 (without side loads)									mm
Recommended operating wiper current	≤ 1									μA
Max. wiper current in case of malfunction	10									mA
Max. permissible applied voltage	42									V
Effective temperature coefficient of the output-to-applied voltage ration	typical 5									ppm/K
Insulation resistance (500 VDC, 1 bar, 2 s)	≥10									MΩ
Dielectric strength (50 Hz, 2 s, 1 bar, 500 VAC)	≤100									μA
Mechanical Data										
Body length (dimension A)	63	78	103	128	153	194	219	244	269	±2 mm
Mechanical stroke (dimension B)	14	29	54	79	104	132	157	182	207	±2 mm
Dimension C	41	56	106	156	201	233	265	298	331	±2 mm
Dimension D	57	72	106	156	201	233	265	298	331	±2 mm
Weight approx. with cable TEX_XXXX_X21_002_202 with conector TEX_XXXX_X21_002_101 additional weight	80 50	85 55	95 65	105 75	115 85	155 125	165 135	175 145	185 155	g g
Operating force horizontal	5.6									±0,8 N
Operating frequency max. in center position (IP40)	49	43	35	28	24	21	20	20	20	Hz
in center position (IP65)	44	39	32	26	21	18	16	15	15	Hz
Environmental Data										
Temperature range	-40 ... +85 (-40...+100 on request)									°C
Vibration	5...2000 A _{max} = 0.75 a _{max} = 20									Hz mm g
Shock	50 6									g ms
Life	> 50 x 10 ⁶ typ.									movements
Operating speed	5									m/s max.
Protection class	up to IP67 DIN 40500 / IEC 529									

*) = on request

Novotechnik
 Messwertaufnehmer OHG
 Postfach 4220
 73745 Ostfildern (Ruit)
 Horbstraße 12
 73760 Ostfildern (Ruit)
 Tel. +49 711 44 89-0
 Fax +49 711 44 89-118
 info@novotechnik.de
 www.novotechnik.de

© 04/2009
 Art.-No.: 062 778
 Subject to changes
 Printed in Germany



Output connector Code 101	Cable Code 202, 205 302, 305	Connector with cable EEM 33-64, EEM 33-65
PIN 1	BN brown	BN brown
PIN 4	WH white	BK black
PIN 3	GN green	BU blue

Ordering specifications

Electrical version
 002: Independent linearity $\pm 0.05\%$ bis $\pm 0.25\%$

Electrical connection
 101: 3-pin round connector M8x1, radial output
 202: NT standard cable 2 m, radial output
 205: NT standard cable 5 m, radial output
 302: NT standard cable 2 m, axial output
 305: NT standard cable 5 m, axial output

T E X **0 1 5 0** **4 2 1** **0 0 2** **2 0 2**

Series

Mechanical mounting
 1: Fixing clamps
 2: Central mounting M10 up to $\varnothing 150$ mm
 5: Flange plate mounting up to 150 mm on request

Mechanical version actuating rod x1x
 2: Transducer with restoring spring and gauging head

Protection class
 3: one-side actuating rod, IP40 on request
 4: one-side actuating rod, IP54
 5: one-side actuating rod, IP67 on request

Electrical defined range
 Standard: 0010 up to 0200 mm, various standard lengths

Recommended accessories
 Connector M8x1, 2 m cable, EEM 33-64, IP67, Art.No. 005617;
 Angled connector M8x1, 2 m cable, EEM 33-65, IP67, Art.No. 005618;
 Connector with longer cable length on request.
 Process-controlled indicators MAP... with display, Signal conditioner MUP.../MUK... for standardized output signals.

Included in delivery
 Clamp mounting: 2 clamps incl. 4 cylinder head screws M5x20

Mounting instructions
 The included gauging head with M2,5 thread can be replaced by usual gauging ends.

 Please note that the actuating rod shall not be twisted in general!

Important
 All the values given in this data sheet for linearity, lifetime and temperature coefficient in the voltage dividing mode are quoted for the device operating with the wiper voltage driving on operational amplifier working as a voltage follower, where virtually no load is applied to the wiper ($I_e \leq 1 \mu A$).