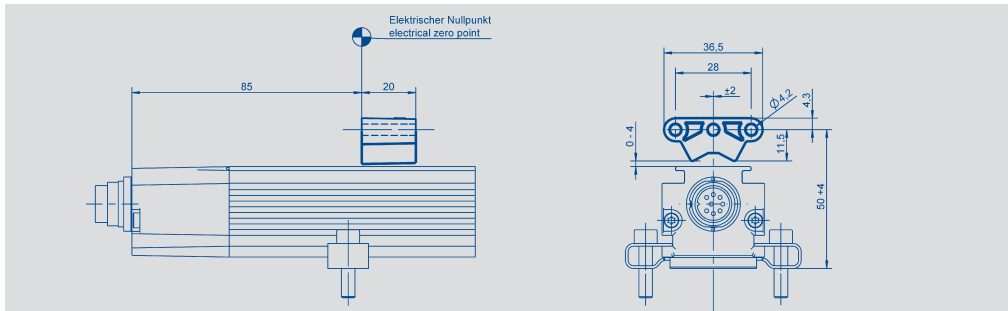


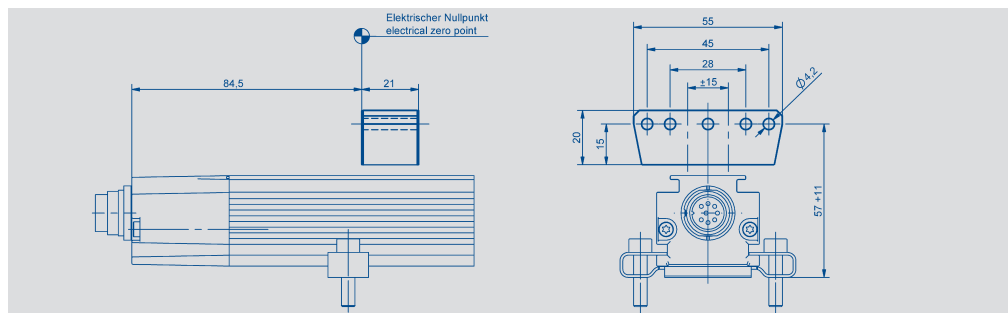
**Position Marker
for non-contacting
Transducers**

Series TLM / TMI /
TIM



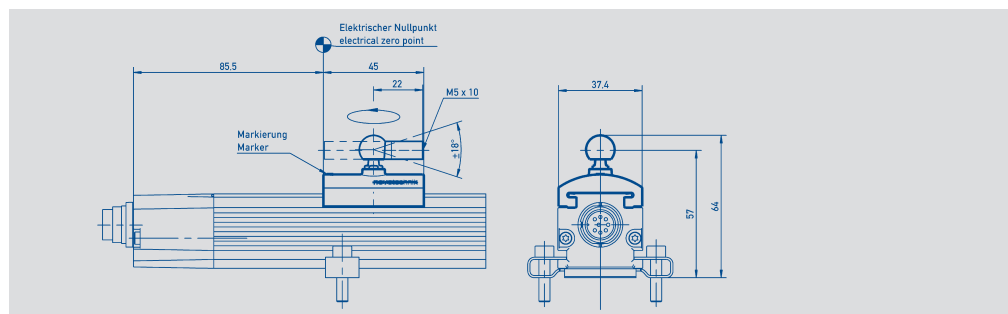
Z-TLM-P01

Floating position marker,
Art.No. 005651
weight approx. 10 g



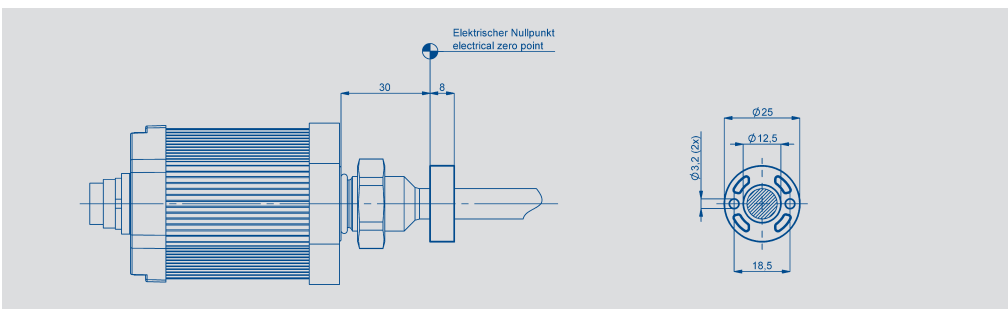
Z-TLM-P04

Floating position marker,
Art.No. 005654
weight approx. 40 g



Z-TLM-P05

Guided position marker,
Art.No. 005655
weight approx. 30 g

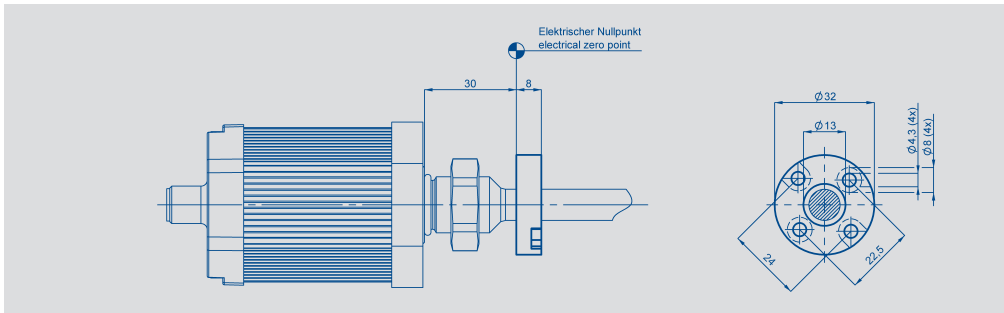


Z-TMI-P02

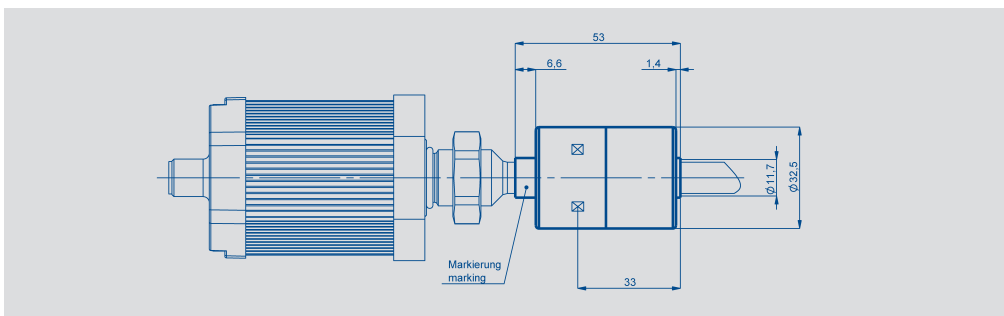
Ring position marker,
Art.No. 005652
weight approx. 10 g

Novotechnik
 Messwertaufnehmer OHG
 Postfach 4220
 73745 Ostfildern (Ruit)
 Horbstraße 12
 73760 Ostfildern (Ruit)
 Tel. +49 711 44 89-0
 Fax +49 711 44 89-150
 info@novotechnik.de
 www.novotechnik.de

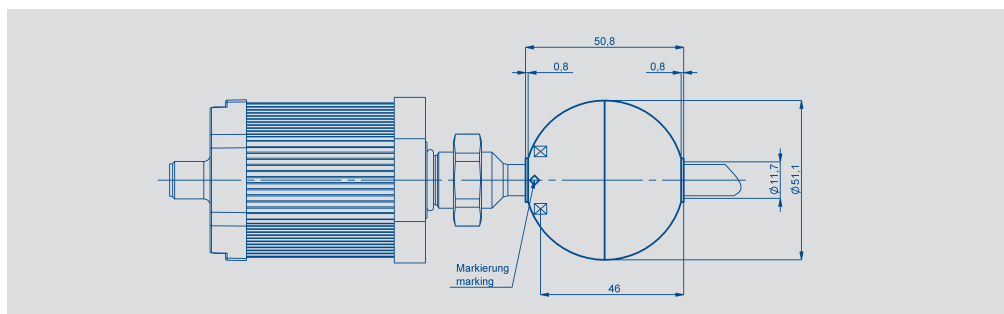
© 08/2008
 Art.-Nr.: 062 700
 Subject to changes
 Printed in Germany



Z-TMI-P14
 Ring position marker,
 Art.No. 005657
 weight approx. 12 g



Z-TMI-P10
 Float position marker,
 Art.No. 005662
 weight approx. 20 g
 Material stainless steel 1.4571
 / 1.4404, surface stained
 Immersion depth in water
 approx. 35 mm



Z-TMI-P11
 Float position marker,
 Art.No. 005663
 weight approx. 30 g
 Material stainless steel 1.4571
 / 1.4404, surface stained
 Immersion depth in water
 approx. 25 mm and in 0.7
 g/cm³ approx. 40 mm

Other position marker and
 float position marker on
 request.