

**Roller Head,
Ball and Socket
and
Shaft Couplings**



Z 301
For use with LWH transducer series.



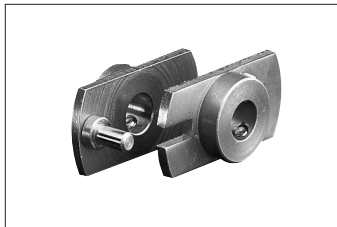
Z 50
Roller head for TR/TRS transducer series and FTI inductive precision sensors. Hardened steel roll.



Z 60
Ball and socket coupling to be used with LWH transducer series.



Z 103 G 2.5
Z 103 G 3
Fork coupling with low backlash for 2.5 mm or 3 mm shaft diameters. Stainless steel, ground driving pin. Mounting with 1 fillister head screw M 2 each with hexagon socket. Allen key size 1.5 is supplied.



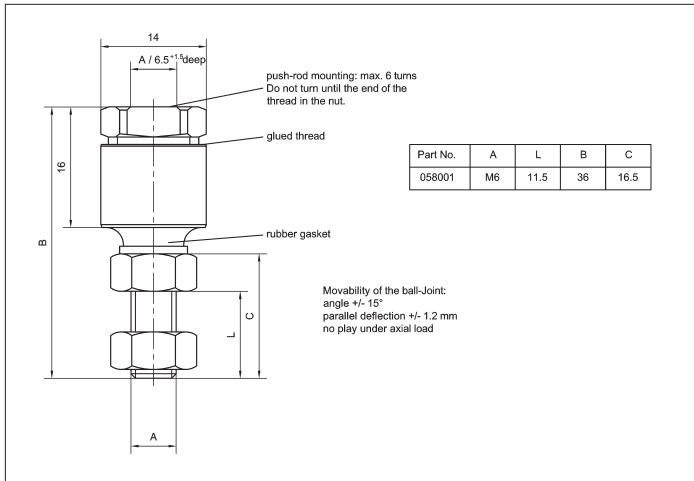
Z 104 G 6
Fork coupling with low backlash for 6 mm shaft diameter. Stainless steel, ground driving pin. Mounting with 1 fillister head screw M 3 each with hexagon socket. Allen key size 1.5 is supplied.



Z 105 G 6
Backlash-free fork coupling for 6 mm shaft diameter. Black anodized aluminum, driving pin and spring hardened. Clamp mounting with 1 fillister head screw M 3 each with hexagon socket. Maximum torque 5 Ncm. Allen key size 2.5 is supplied.

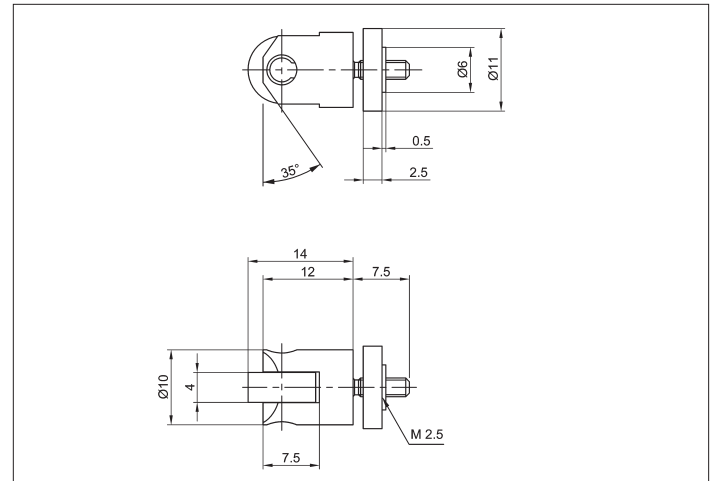


Z 110 G 10
Backlash-free coupling for 10 mm shaft diameter. Black anodized aluminum, driving pin and spring in phosphor bronze. Mounting with 2 threaded pins M 4 each with hexagon socket. Maximum torque 25 Ncm.



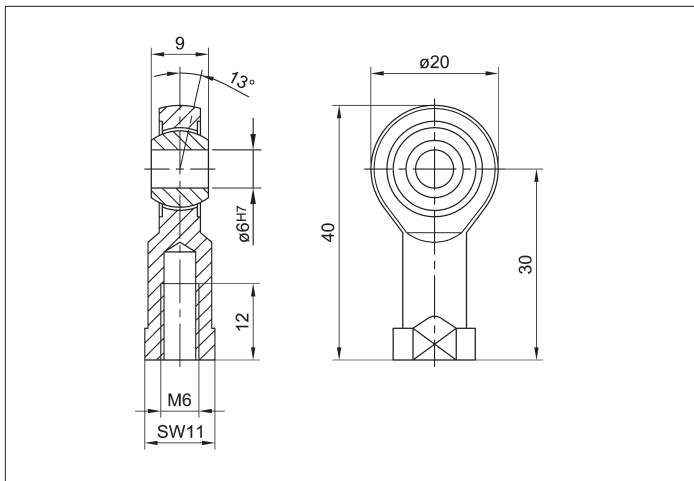
Type

Z 301



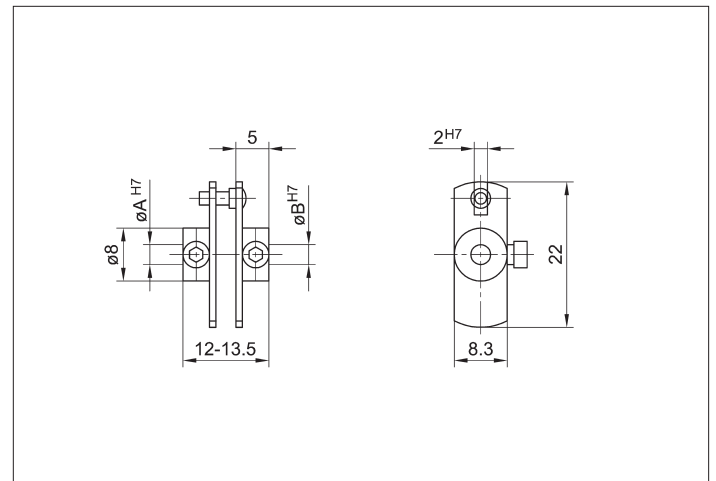
Type

Z 50



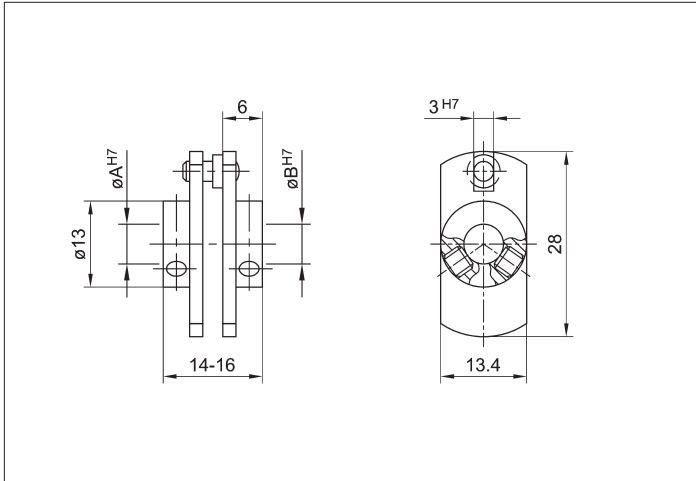
Type

Z 60

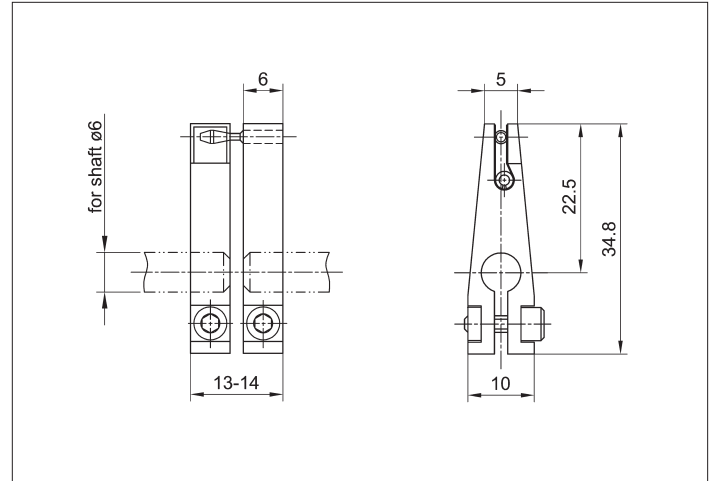


Type

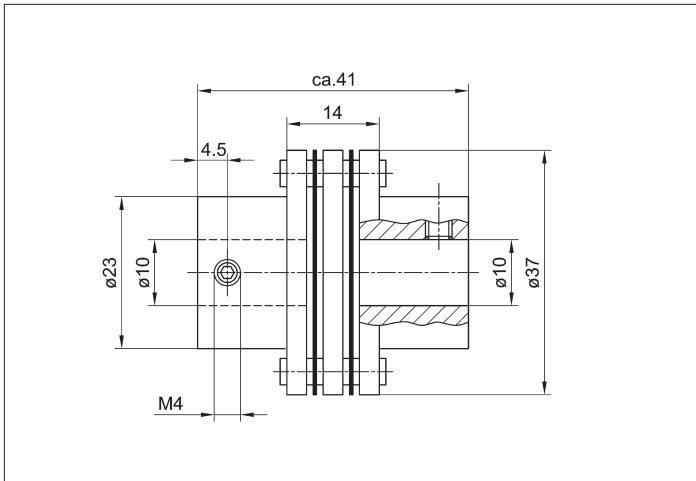
| Type | ø A | ø B |
|-------------|-----|-----|
| Z 103 G 2.5 | 2.5 | 2.5 |
| Z 103 G 3 | 3 | 3 |



| Type | $\varnothing A$ | $\varnothing B$ |
|-----------|-----------------|-----------------|
| Z 104 G 6 | 6 | 6 |



| Type |
|-----------|
| Z 105 G 6 |



| Type |
|------------|
| Z 110 G 10 |

| Order designations | |
|--------------------|----------|
| Type | Art. No. |
| Z 301 | 058001 |
| Z 50 | 005678 |
| Z 60 | 058100 |
| Z 103 G 2.5 | 005684 |
| Z 103 G 3 | 005687 |
| Z 104 G 6 | 005690 |
| Z 105 G 6 | 005691 |
| Z 110 G 10 | 005692 |