



Description	
Case	aluminum anodized, sealed shaft
Shaft	stainless steel
Bearings	stainless steel ball bearings
Resistance element	conductive plastic
Wiper assembly	precious metal multi-finger wiper
Electrical circuitry	hybrid circuit built into potentiometer housing
Connections	6-pin connector (see "Accessories")

Mechanical Data	
Dimensions	see drawing
Mounting	with 3 mounting clamps Z 3-31
Mechanical travel	360, continuous °
Permitted shaft loading (axial and radial) static or dynamic force	45 N
Starting torque	< 1.5 Ncm
Maximum operational speed	2,000 RPM
Weight	170 g

Electrical Data	
Actual electrical travel	360 °
Absolute linearity AW 360ZE-10	±0.07 %
AW 360ZE-11	±0.035 %
Repeatability	0.002 (Δ0.007°) %
Effective temperature coefficient of resistance	100 ppm/K
Supply volt. ± U <sub>B</sub> of the electronic circuitry	±15 (±1) V
Potentiometer supply voltage U <sub>Ref</sub>	≤ +10 V
Inhibit signal from ± U <sub>B</sub> to zero	approx. 50 μs
Zero offset	< 2 mV
Max. difference of supply voltage U <sub>Ref</sub>	±2 mV
Max. output current	5, short-circuit protected mA
Output resistance	< 0.1 Ω
Quiescent current of electronic circuitry	10 mA
Insulation resistance (250 VDC, 1 bar, 2 s)	≥ 10 MΩ
Dielectric strength (50 Hz, 2 s, 1 bar, 250 VAC)	≤ 100 μA

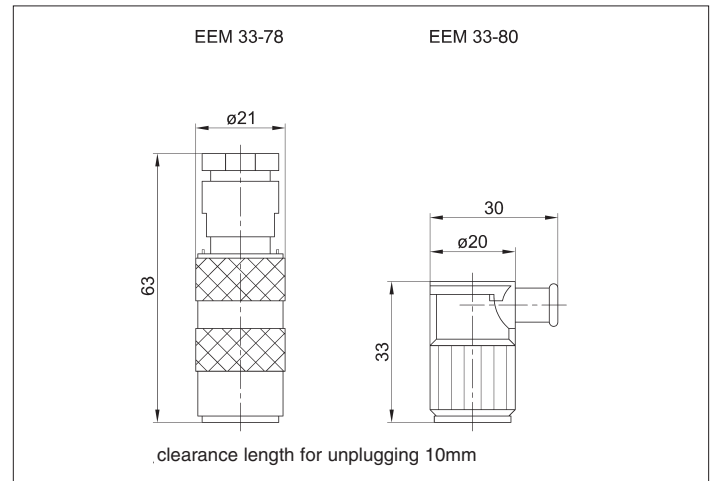
Environmental Data	
Temperature range	0...+70 °C
Vibration	10...2000 Hz A <sub>max</sub> = 0.76 mm a <sub>max</sub> = 20 g
Shock	50 g 11 ms
Life	50 x 10 <sup>6</sup> movem.
Protection class	IP 65 (DIN 400 50 / IEC 529) (with connector EEM 33-78)

**Included in delivery**

3 mounting clamps Z 3-31

**Recommended accessories**

Mating plug EEM 33-78  
 protection class IP 67,  
 Right-angled plug EEM 33-80  
 protection class IP 40,  
 Fork couplings Z 104 G 6  
 (backlash-free),  
 Fork couplings Z 105 G 6  
 (backlash-free),  
 MAP process-control indicators  
 and display. MUP or MUK signal  
 conditioner for standardized  
 output signals.



**Order designations**

Type	Art. no.
AW360 ZE-10	011021
AW360 ZE-11	011022

Subject to changes

© August 2005

Novotechnik U.S., Inc. All rights reserved.